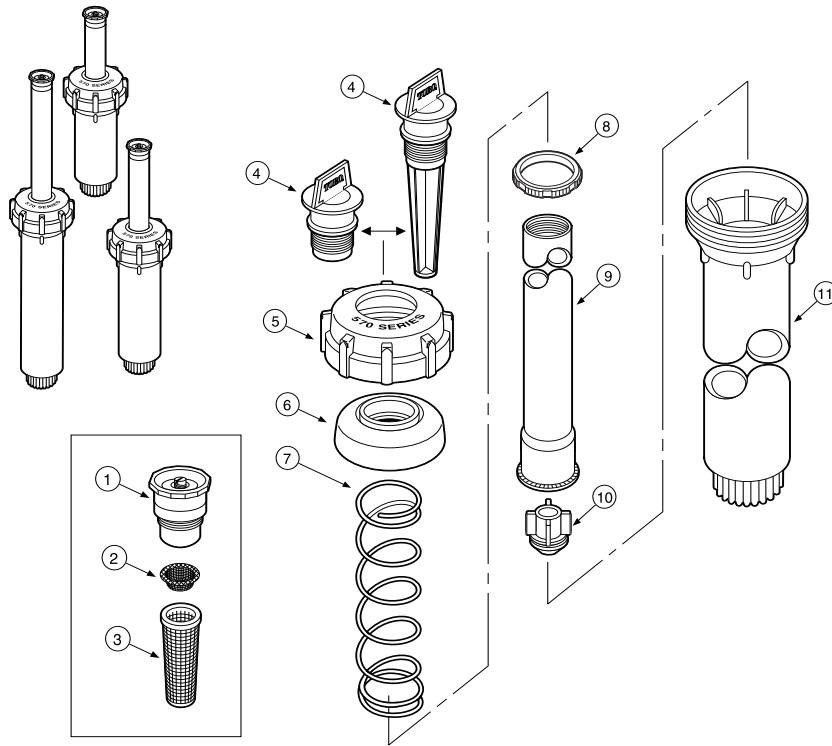
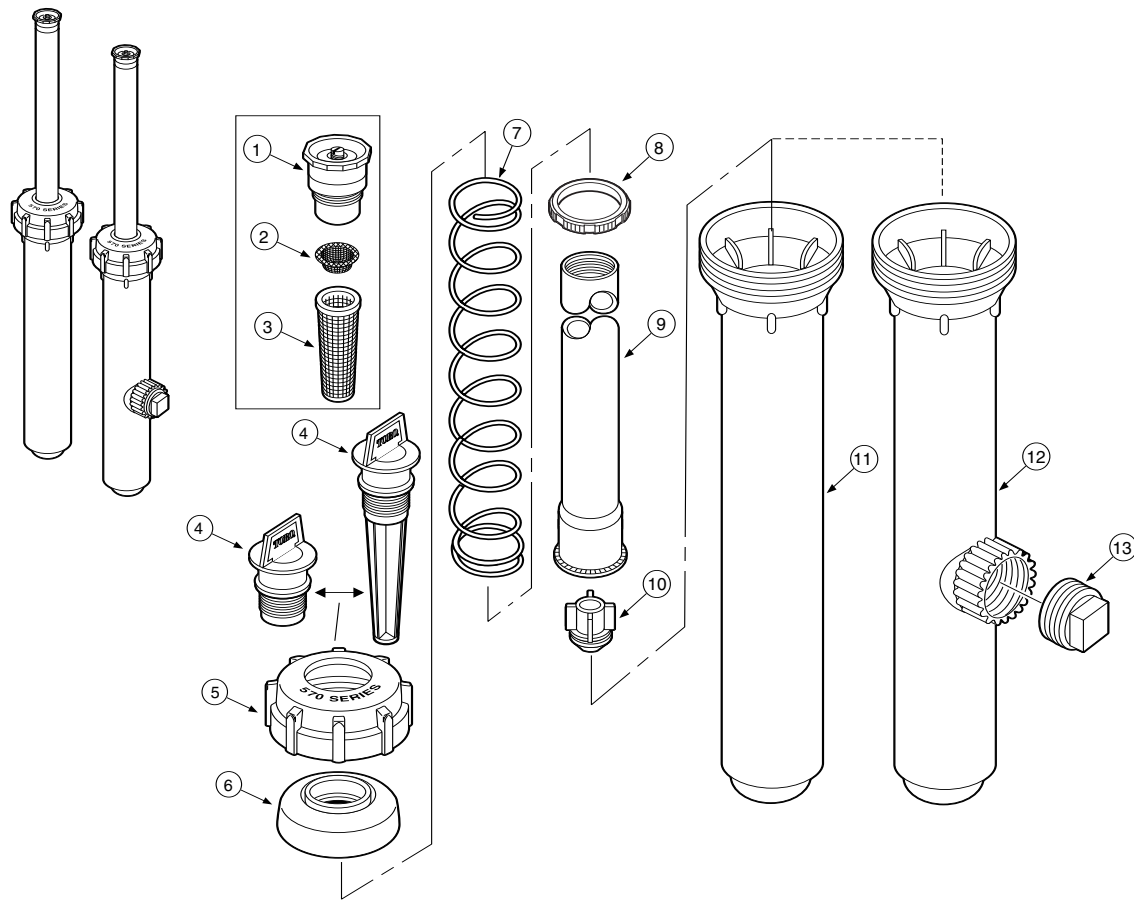


570Z-2P, 570Z-3P, 570Z-4P, 570Z-PRX-4P & 570Z-XF-4P



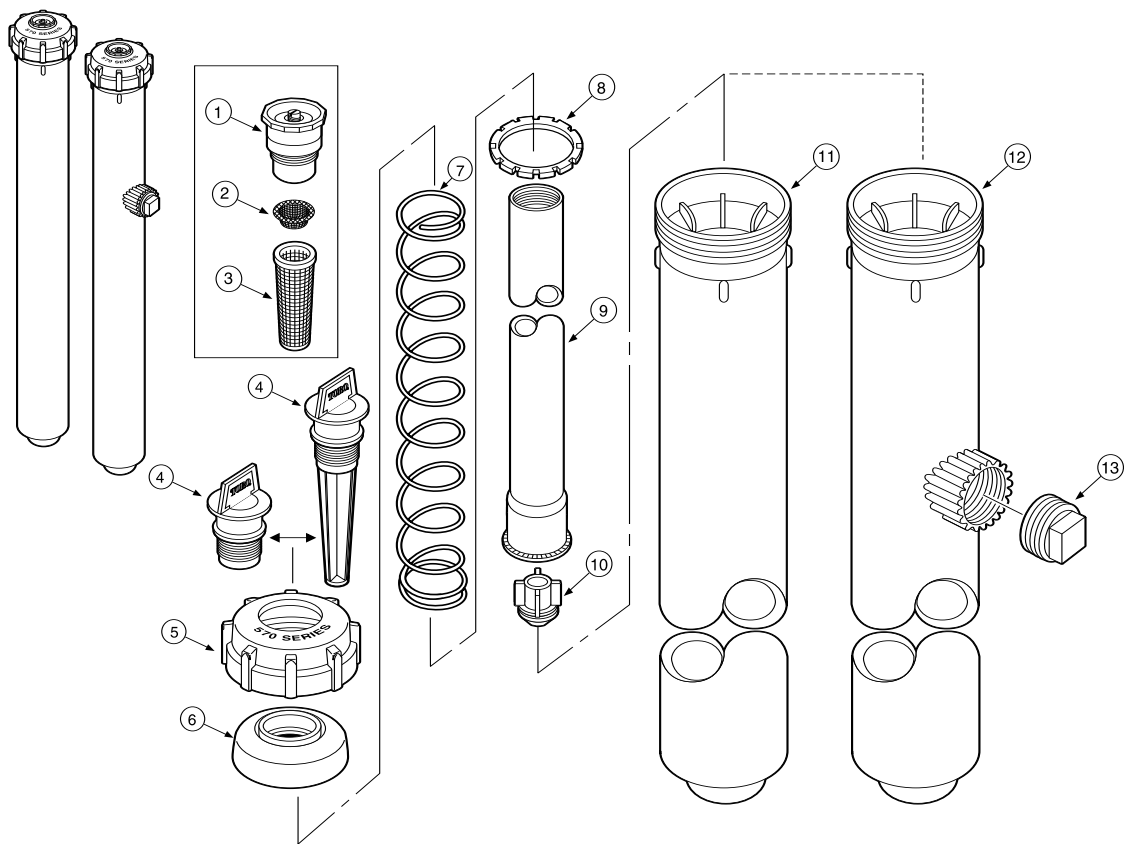
Item No.	Part No.	Description	Quantity Per Assy.
1	-----	Nozzle (See p. 4)	1
2	89-5548	Screen, Filter, SST	1
3	9-5112	Screen, Riser (White Plastic, Regular Mesh)	1
3	89-8738	Screen, Riser (Red Plastic, Fine Mesh)	1
4	102-2178	Flush Cap	1
4	102-0621	Flush Plug, PRX & XF	1
5	89-3747	Cap	1
5	89-8210	Cap, COM	1
5	102-0562	Cap, Lavender	1
6	89-3746	Seal, Cap	1
7	89-5640	Spring, 570-2P	1
7	89-5920	Spring, 570-2P, COM	1
7	35-4879	Spring, 570-3P	1
7	102-2960	Spring, 570-3P, COM	1
7	35-3077	Spring, 570-4P	1
7	102-2961	Spring, 570-4P, COM	1
8	89-0463	Retainer, Spring	1
9	89-5642	Riser, 2P	1
9	89-0967	Riser, 3P	1
9	89-0969	Riser, 4P	1
10	89-5896	COM Assy.	1
11	89-5641	Body, 2P	1
11	89-0966	Body, 3P	1
11	89-0968	Body, 4P	1
		SERVICE ITEMS	
	89-3997	Cap Assy. (Includes Items 5 & 6)	
	89-8256	Cap Assy., COM (Includes Items 5 & 6)	
	102-1211	Cap Assy., Lavender (Includes Items 5 & 6)	
	102-0971	PRX Riser Assy., 4P (Includes Items 4 & 9)	
	102-0973	PRX Riser Assy., 4P, COM (Includes Items 4, 9 & 10)	
	102-3994	XF Riser Assy., 4P (Includes Items 4 & 9)	
	102-3995	XF Riser Assy., 4P, COM (Includes Items 4, 9 & 10)	

570Z-6P, 570Z-6P SI, 570Z-PRX-6P & 570Z-XF-6P



Item No.	Part No.	Description	Quantity Per Assy.
1	-----	Nozzle (See p. 4)	1
2	89-5548	Screen, Filter, SST	1
3	9-5112	Screen, Riser (White Plastic, Regular Mesh)	1
3	89-8738	Screen, Riser (Red Plastic, Fine Mesh)	1
4	102-2178	Flush Cap	1
4	102-0621	Flush Plug, PRX & XF	1
5	89-3747	Cap	1
5	89-8210	Cap, COM	1
5	102-0562	Cap, Lavender	1
6	89-3746	Seal, Cap	1
7	102-2876	Spring, Return, 570-6P	1
7	102-2864	Spring, Return, 570-6P COM	1
8	89-0463	Retainer, Spring	1
9	89-0856	Riser, 6P	1
10	89-5896	COM Assy.	1
11	89-0970	Body, 6P	1
12	89-0857	Body, 6P ,SI	1
13	363-3125	Plug, 1/2" NPT	1
		SERVICE ITEMS	
	89-1245	Body Assy., 6P, SI w/Plug (Includes Items 12 & 13)	
	89-3997	Cap Assy. (Includes Items 5 & 6)	
	89-8256	Cap Assy., COM (Includes Items 5 & 6)	
	102-1211	Cap Assy., Lavender (Includes Items 5 & 6)	
	102-0972	PRX Riser Assy., 6P (Includes Items 4 & 9)	
	102-0974	PRX Riser Assy., 6P, COM (Includes Items 4, 9 & 10)	
	102-3996	XF Riser Assy., 6P (Includes Items 4 & 9)	
	102-3997	XF Riser Assy., 6P, COM (Includes Items 4, 9 & 10)	

570Z-12P, 570Z-12P SI, 570Z-PRX-12P & 570Z-XF-12P



Item No.	Part No.	Description	Quantity Per Assy.
1	-----	Nozzle (See p. 4)	1
2	89-5548	Screen, Filter, SST	1
3	9-5112	Screen, Riser (White Plastic, Regular Mesh)	1
3	89-8738	Screen, Riser (Red Plastic, Fine Mesh)	1
4	102-2178	Flush Cap	1
4	102-0621	Flush Plug, PRX & XF	1
5	89-3747	Cap, 570	1
5	89-8210	Cap, 570Z	1
5	102-0562	Cap, Lavender	1
6	89-3746	Seal, Cap	1
7	102-2877	Spring, Return, 570-12P	1
7	102-2965	Spring, Return, 570-12P, COM	1
8	89-0855	Ratchet	1
8	89-0433	Ratchet, SI	1
9	102-1246	Riser	1
10	89-5896	COM Assy.	1
11	9-7236	Body, 12P	1
12	35-9322	Body, 12P, SI	1
13	363-3125	Plug, 1/2" NPT	1
		SERVICE ITEMS	
	89-3997	Cap, Assy.	
	89-8256	Cap Assy., COM (Includes Items 5 & 6)	
	102-1211	Cap Assy., Lavender (Includes Items 5 & 6)	
	102-2917	PRX Riser Assy., 12P (Includes Items 4 & 9)	
	102-2918	PRX Riser Assy., 12P COM (Includes Items 4, 9 & 10)	
	102-3998	XF Riser Assy., 12P (Includes Items 4 & 9)	
	102-3999	XF Riser Assy., 12P COM (Includes Items 4, 9 & 10)	
	102-4545	Cap & Riser Kit, 570-12P	
	102-4546	Cap & Riser Kit, 570 Side Inlet-12P	

570 Nozzles

Note: All 570 nozzles must be ordered through the Finished Goods Distribution System.

570 MPR Plus Nozzles – Standard

15' SERIES WITH 27° TRAJECTORY			
Part No.	Model No.	Description	Screen(s)
89-1769	15-Q	1/4 Circle	White
89-1768	15-T	1/3 Circle	White
89-1767	15-H	1/2 Circle	White
89-1766	15-TT	2/3 Circle	White
89-1765	15-TQ	3/4 Circle	White
89-1764	15-F	Full-circle	White

12' SERIES WITH 23° TRAJECTORY			
Part No.	Model No.	Description	Screen(s)
89-1775	12-Q	1/4 Circle	White
89-1774	12-T	1/3 Circle	White
89-1773	12-H	1/2 Circle	White
89-1772	12-TT	2/3 Circle	White
89-1771	12-TQ	3/4 Circle	White
89-1770	12-F	Full-circle	White

10' SERIES WITH 12° TRAJECTORY			
Part No.	Model No.	Description	Screen(s)
89-1781	10-Q	1/4 Circle	White
89-1780	10-T	1/3 Circle	White
89-1779	10-H	1/2 Circle	White
89-1778	10-TT	2/3 Circle	White
89-1777	10-TQ	3/4 Circle	White
89-1776	10-F	Full-circle	White

8' SERIES WITH 5° TRAJECTORY			
Part No.	Model No.	Description	Screen(s)
89-1787	8-Q	1/4 Circle	Red
89-1786	8-T	1/3 Circle	Red
89-1785	8-H	1/2 Circle	Red
89-1784	8-TT	2/3 Circle	Red
89-1783	8-TQ	3/4 Circle	Red
89-1782	8-F	Full-circle	Red

5' SERIES WITH 0° TRAJECTORY			
Part No.	Model No.	Description	Screen(s)
89-1793	5-Q	1/4 Circle	Red & Metal
89-1792	5-T	1/3 Circle	Red & Metal
89-1791	5-H	1/2 Circle	Red & Metal
89-1790	5-TT	2/3 Circle	Red & Metal
89-1789	5-TQ	3/4 Circle	Red & Metal
89-1788	5-F	Full-circle	Red & Metal

SPECIAL PATTERNS			
Part No.	Model No.	Description	Screen(s)
89-1796	4x30-SST	Side Strip, 4' x 30'	Red
89-1795	4x30-EST	End Strip, 4' x 15'	White
89-1794	4x30-CST	Center Strip, 4' x 30'	White
89-1797	9x18-SST	Side Strip, 9' x 18'	White
89-1798	4x18-SST	Side Strip, 4' x 18'	Red
89-1799	2x6-SST	Side Strip, 2' x 6'	Red & Metal

570 MPR Plus Nozzles – Press. Comp.

15' SERIES WITH 27° TRAJECTORY			
Part No.	Model No.	Description	Screen(s)
89-1416	15-Q-PC	1/4 Circle	White
89-1413	15-T-PC	1/3 Circle	White
89-1410	15-H-PC	1/2 Circle	White
89-1407	15-TT-PC	2/3 Circle	White
89-1404	15-TQ-PC	3/4 Circle	White
89-1401	15-F-PC	Full-circle	White

12' SERIES WITH 23° TRAJECTORY			
Part No.	Model No.	Description	Screen(s)
89-1434	12-Q-PC	1/4 Circle	White
89-1431	12-T-PC	1/3 Circle	White
89-1428	12-H-PC	1/2 Circle	White
89-1425	12-TT-PC	2/3 Circle	White
89-1422	12-TQ-PC	3/4 Circle	White
89-1419	12-F-PC	Full-circle	White

10' SERIES WITH 12° TRAJECTORY			
Part No.	Model No.	Description	Screen(s)
89-1452	10-Q-PC	1/4 Circle	White
89-1449	10-T-PC	1/3 Circle	White
89-1446	10-H-PC	1/2 Circle	White
89-1443	10-TT-PC	2/3 Circle	White
89-1440	10-TQ-PC	3/4 Circle	White
89-1437	10-F-PC	Full-circle	White

8' SERIES WITH 5° TRAJECTORY			
Part No.	Model No.	Description	Screen(s)
89-1470	8-Q-PC	1/4 Circle	Red
89-1467	8-T-PC	1/3 Circle	Red
89-1464	8-H-PC	1/2 Circle	Red
89-1461	8-TT-PC	2/3 Circle	Red
89-1458	8-TQ-PC	3/4 Circle	Red
89-1455	8-F-PC	Full-circle	Red

5' SERIES WITH 0° TRAJECTORY			
Part No.	Model No.	Description	Screen(s)
89-1488	5-Q-PC	1/4 Circle	Red & Metal
89-1485	5-T-PC	1/3 Circle	Red & Metal
89-1482	5-H-PC	1/2 Circle	Red & Metal
89-1479	5-TT-PC	2/3 Circle	Red & Metal
89-1476	5-TQ-PC	3/4 Circle	Red & Metal
89-1473	5-F-PC	Full-circle	Red & Metal

SPECIAL PATTERNS			
Part No.	Model No.	Description	Screen(s)
89-1503	4x30-SST-PC	Side Strip, 4' x 30'	Red
89-1500	4x30-EST-PC	End Strip, 4' x 15'	White
89-1497	4x30-CST-PC	Center Strip, 4' x 30'	White
89-1506	9x18-SST-PC	Side Strip, 9' x 18'	White
89-1509	4x18-SST-PC	Side Strip, 4' x 18'	Red
89-1512	2x6-SST-PC	Side Strip, 2' x 6'	Red & Metal

570 Stream Spray – Standard

10° STREAM SPRAY – STANDARD			
Part No.	Model No.	Description	Screen(s)
89-1803	10-SSF	Stream Spray, 360°	Red & Metal
89-1804	10-SSH	Stream Spray, 180°	Red & Metal
89-1805	10-SSQ	Stream Spray, 90°	Red & Metal

35° STREAM SPRAY – STANDARD			
Part No.	Model No.	Description	Screen(s)
89-1800	35-SSF	Stream Spray, 360°	Red & Metal
89-1801	35-SSH	Stream Spray, 180°	Red & Metal
89-1802	35-SSQ	Stream Spray, 90°	Red & Metal

570 Stream Spray – Pressure Comp.

10° STREAM SPRAY – PRESSURE COMPENSATING			
Part No.	Model No.	Description	Screen(s)
89-1519	10-SSF-PC	Stream Spray, 360°	Red & Metal
89-1521	10-SSH-PC	Stream Spray, 180°	Red & Metal
89-1547	10-SSQ-PC	Stream Spray, 90°	Red & Metal

35° STREAM SPRAY – PRESSURE COMPENSATING			
Part No.	Model No.	Description	Screen(s)
89-1491	35-SSF-PC	Stream Spray, 360°	Red & Metal
89-1493	35-SSH-PC	Stream Spray, 180°	Red & Metal
89-1495	35-SSQ-PC	Stream Spray, 90°	Red & Metal

570 Flat Spray – Standard

FLAT SPRAY – STANDARD			
Part No.	Model No.	Description	Screen(s)
35-2748	FSQ	Flat Spray, 90°	White
35-2747	FSH	Flat Spray, 180°	White
35-2746	FSF	Flat Spray, 360°	White
35-4245	FSQ-LG	Flat Spray, 90° Low GPM	Red & Metal
35-4246	FSH-LG	Flat Spray, 180° Low GPM	Red & Metal
35-4247	FSF-LG	Flat Spray, 360° Low GPM	Red & Metal

570 Flat Spray – Pressure Compensating

FLAT SPRAY – PRESSURE COMPENSATING			
Part No.	Model No.	Description	Screen(s)
35-7704	FSQ-PC	Flat Spray, 90°	White
35-7700	FSH-PC	Flat Spray, 180°	White
35-7698	FSF-PC	Flat Spray, 360°	White
35-7712	FSQ-LG-PC	Flat Spray, 90° Low GPM	Red & Metal
35-7708	FSH-LG-PC	Flat Spray, 180° Low GPM	Red & Metal
35-7706	FSF-LG-PC	Flat Spray, 360° Low GPM	Red & Metal

570 Flood Bubbler – Pressure Comp.

FLOOD BUBBLER – PRESSURE COMPENSATING			
Part No.	Model No.	Description	Screen(s)
89-1727	FB-25-PC	Flood Bubbler, .25 GPM	Red & Metal
89-1729	FB-50-PC	Flood Bubbler, .50 GPM	Red & Metal
89-1731	FB-100-PC	Flood Bubbler, 1.00 GPM	Red & Metal
89-1733	FB-200-ADJ-PC		

570 Stream Bubblers – Standard

STREAM BUBBLER NOZZLES			
Part No.	Model No.	Description	Screen(s)
89-1806	SB-90	1/4 Circle	White
89-1807	SB-180	1/2 Circle	White
89-1808	SB-360	Full-circle	White
89-1809	SB-2-180	1/2 Circle, 2 Stream	White
89-1810	SB-4-180	1/2 Circle, 4 Stream	White

570 Stream Bubblers – Pressure Comp.

STREAM BUBBLER NOZZLES			
Part No.	Model No.	Description	Screen(s)
89-7865	SB-90-PC2	1/4 Circle	White
89-7875	SB-180-PC2	1/2 Circle	White
89-7877	SB-360-PC2	Full-circle	White
89-7871	SB-2-180-PC2	1/2 Circle, 2 Stream	White
89-7873	SB-4-180-PC2	1/2 Circle, 4 Stream	White

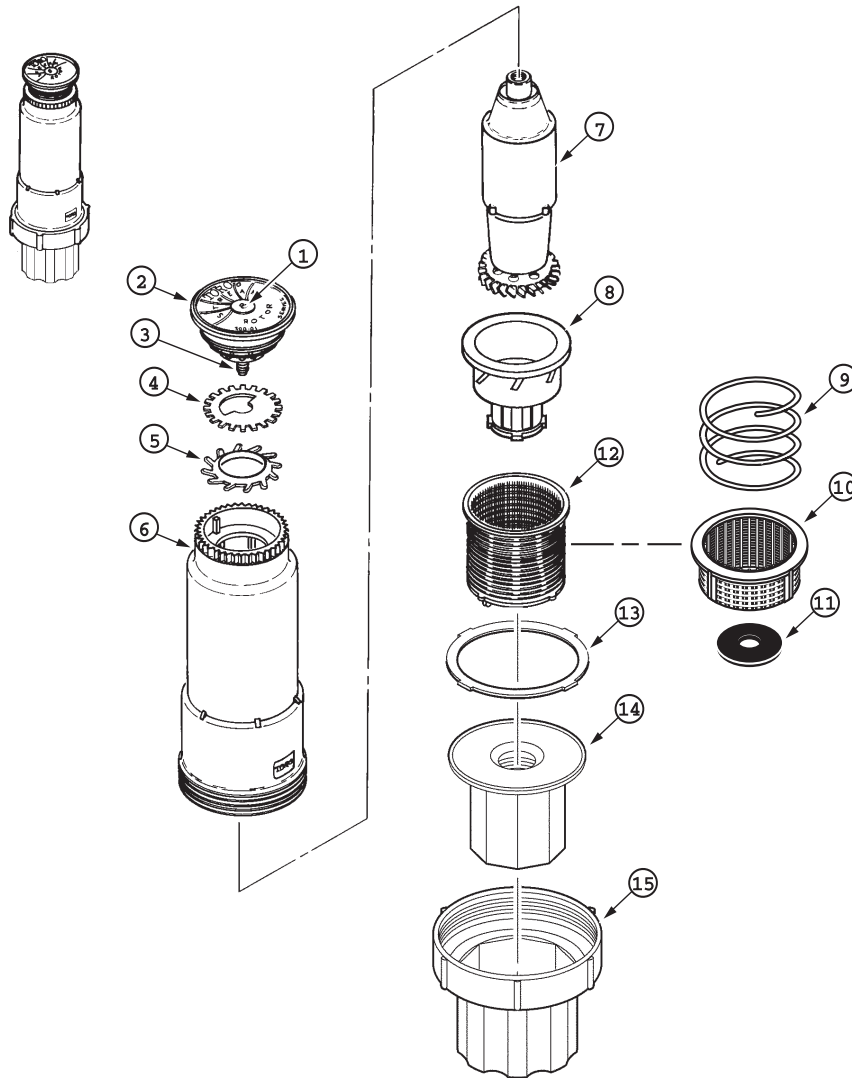
570 Pressure Compensating Devices

PRESSURE COMPENSATING DEVICES			
Model No.	Description	Model No.	Description
PCD-.25	.25 GPM	PCD-1.4	1.4 GPM
PCD-.50	.50 GPM	PCD-2.0	2.0 GPM
PCD-.70	.70 GPM	PCD-3.0	3.0 GPM
PCD-1.0	1.0 GPM		

Variable Arc Nozzles (TVANs)

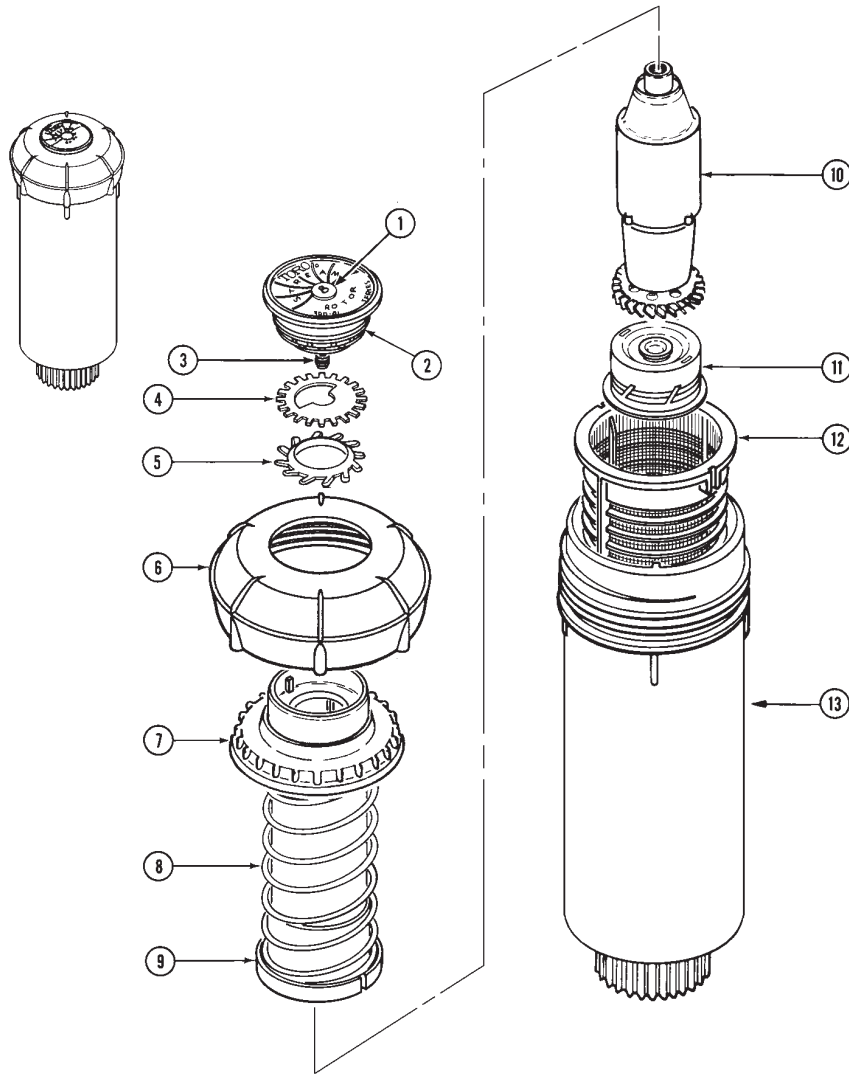
TORO ADJUSTABLE ARC NOZZLES	
Model No.	Description
TVAN-8	8' Variable Arc Pattern (Includes Screen)
TVAN-10	10' Variable Arc Pattern (Includes Screen)
TVAN-12	12' Variable Arc Pattern (Includes Screen)
TVAN-15	15' Variable Arc Pattern (Includes Screen)
TVAN-17	18' Variable Arc Pattern (Includes Screen)

300 Shrub



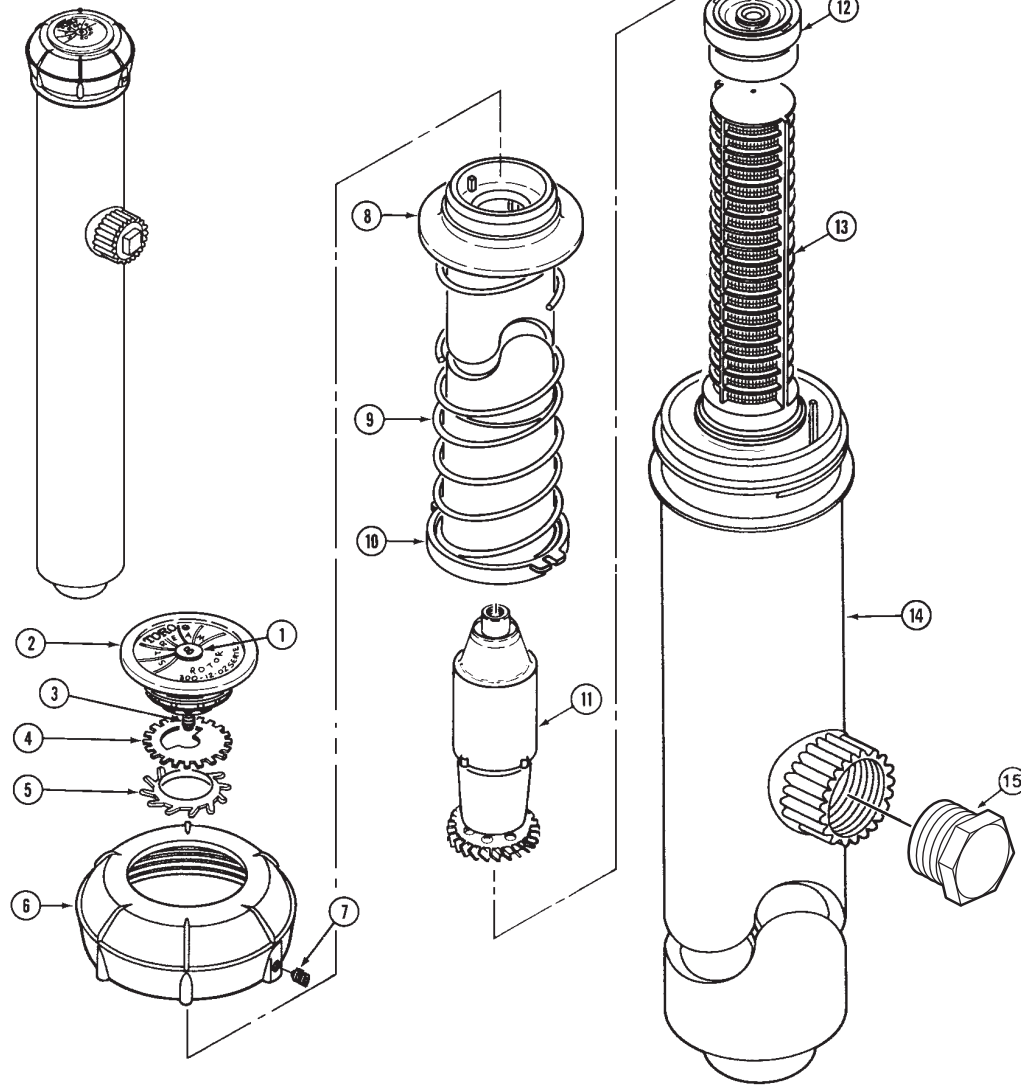
Item No.	Part No.	Description	Quantity Per Assy.
1	-----	Plug, Cap, Nozzle (See p. 9)	1
2	-----	Nozzle Assy. (See p. 9) (Includes Items 1 & 3)	1
3	360-0272	Screw, Machine, Nozzle, 8-32 x 7/8"	1
4	-----	Disc, Arc (See p. 9)	1
5	9-2825	Seal, Nozzle	1
6	9-5210	Body, Shrub	1
7	9-2829	Drive Assy., 300 Series	1
8	89-6929	Stator Assy., Shrub	1
9	102-0579	Spring, COM	1
10	102-0575	Screen, Basket, COM	1
11	89-7561	Seal, COM	1
12	9-5212	Screen, Basket	1
13	9-5211	Seal	1
14	89-6094	Threaded Insert, 3/4" & 1/2"	1
14	102-0577	Threaded Insert, 3/4" & 1/2", COM	1
15	89-8305	Base, Shrub	1
		SERVICE ITEMS	
	9-5209	Base, Shrub (Pre-10/97)	
	9-5698	Insert, 1/2"	
	9-5699	Insert, 3/4"	

300 Lawn



Item No.	Part No.	Description	Quantity Per Assy.
1	-----	Plug, Cap, Nozzle (See p. 9)	1
2	-----	Nozzle Assy. (See p. 9) (Includes Items 1 & 3)	1
3	360-0272	Screw, Machine, Nozzle, 8-32 x 7/8"	1
4	-----	Disc, Arc (See p. 9)	1
5	9-2825	Seal, Nozzle	1
6	9-4394	Cap	1
7	9-4449	Seal, Riser	1
8	9-2137	Spring, Retraction	1
9	9-2836	Riser	1
10	9-2829	Drive Assy.	1
11	9-5181	Stator Assy.	1
12	9-2131	Screen, Basket	1
13	9-1661	Body	1
		SERVICE ITEMS	
	9-6472	Riser Assy. (Includes Items 9, 10 & 11)	

300 High-pop



Item No.	Part No.	Description	Quantity Per Assy.
1	-----	Plug, Cap, Nozzle (See p. 9)	1
2	-----	Nozzle Assy. (See p. 9) (Includes Items 1 & 3)	1
3	360-0272	Screw, Machine, Nozzle, 8-32 x 7/8"	1
4	-----	Disc, Arc (See p. 9)	1
5	9-2825	Seal, Nozzle	1
6	35-0481	Cap Assy., High-pop (Includes Item 7)	1
7	360-0223	Screw, Set, Half-dog Point, 6-32 x 1/4"	1
8	9-4572	Seal, Riser	1
9	35-7579	Spring, Retraction	1
10	9-4570	Riser	1
11	9-2829	Drive Assy.	1
12	9-5683	Stator Assy.	1
13	9-4571	Screen, Basket	1
14	89-1960	Body, HP w/Side Inlet	1
15	363-3779	Plug, 3/4" NPT	1
		SERVICE ITEMS	
	9-5690	Riser Assy. (Includes Items 10, 11 & 12)	

300/340 Series Nozzle and Arc Disc Components

Nozzle Assembly - Lawn and Shrub (Nozzle Only)

Order No.	Description
9-2833	Nozzle Assy., Small (01)
9-2834	Nozzle Assy., Medium (02)
9-2835	Nozzle Assy., Large (03)
9-7050	Nozzle Assy., Low Gallonage, 6-Port (63)
9-7053	Nozzle Assy., Low Gallonage, 9-Port (93)

Nozzle Cap Plug

Order No.	Description
9-3346	Plug, Cap, Nozzle, No. 4
9-3347	Plug, Cap, Nozzle, No. 8
9-3348	Plug, Cap, Nozzle, No. 12
9-3351	Plug, Cap, Nozzle, No. 16
9-7048	Plug, Cap, Nozzle, Blank
89-7889	Plug, Cap, Nozzle, Effluent, Lavender

Nozzle Assembly - Lawn and Shrub (Includes Nozzle, Cap Plug and Screw)

Order No.	Description
*300-11	Nozzle Assy., 01 w/Blank Cap Plug
*300-12	Nozzle Assy., 02 w/Blank Cap Plug
*300-13	Nozzle Assy., 03 w/Blank Cap Plug
*300-63-1	Nozzle Assy., 63 w/Blank Cap Plug
*300-93-1	Nozzle Assy., 93 w/Blank Cap Plug
*308-01	Nozzle Assy., 01 w/No. 8 Cap Plug
*308-02	Nozzle Assy., 02 w/No. 8 Cap Plug
*308-03	Nozzle Assy., 03 w/No. 8 Cap Plug
*316-01	Nozzle Assy., 01 w/No. 16 Cap Plug
*316-02	Nozzle Assy., 02 w/No. 16 Cap Plug
*316-03	Nozzle Assy., 03 w/No. 16 Cap Plug

Nozzle Assembly - High-pop (Includes Nozzle, Cap Plug and Screw)

Order No.	Description
*300-21	Nozzle Assy., 01 w/Blank Cap Plug
*300-22	Nozzle Assy., 02 w/Blank Cap Plug
*300-23	Nozzle Assy., 03 w/Blank Cap Plug
*300-63-12	Nozzle Assy., 63 w/Blank Cap Plug
*300-93-12	Nozzle Assy., 93 w/Blank Cap Plug

Omni Nozzle Assembly (Adjustable)

Order No.	Description
*300-15	Adjustable Stream Rotor Nozzle Standard and Shrub
*300-25	Adjustable Stream Rotor Nozzles High Pop

Arc Disc - Stainless Steel (See Note Below)

Order No.	Description
*304-00	Disc, Arc, 90°
*305-00	Disc, Arc, 112°
*306-00	Disc, Arc, 135°
*307-00	Disc, Arc, 157°
*308-00	Disc, Arc, 180°
*309-00	Disc, Arc, 202°
*310-00	Disc, Arc, 225°
*312-00	Disc, Arc, 270°
*316-00	Disc, Arc, 360°

Note: Nozzle Seal 9-2825 must be used with stainless steel Arc Disc.

Arc Disc Tree- Plastic (See Note Below)

Order No.	Description
*304-09	Tree, Plastic Arc Disc (Includes all discs)

Note: Nozzle seal 9-2825 is not used with plastic Arc Disc.

Arc Disc Organizer

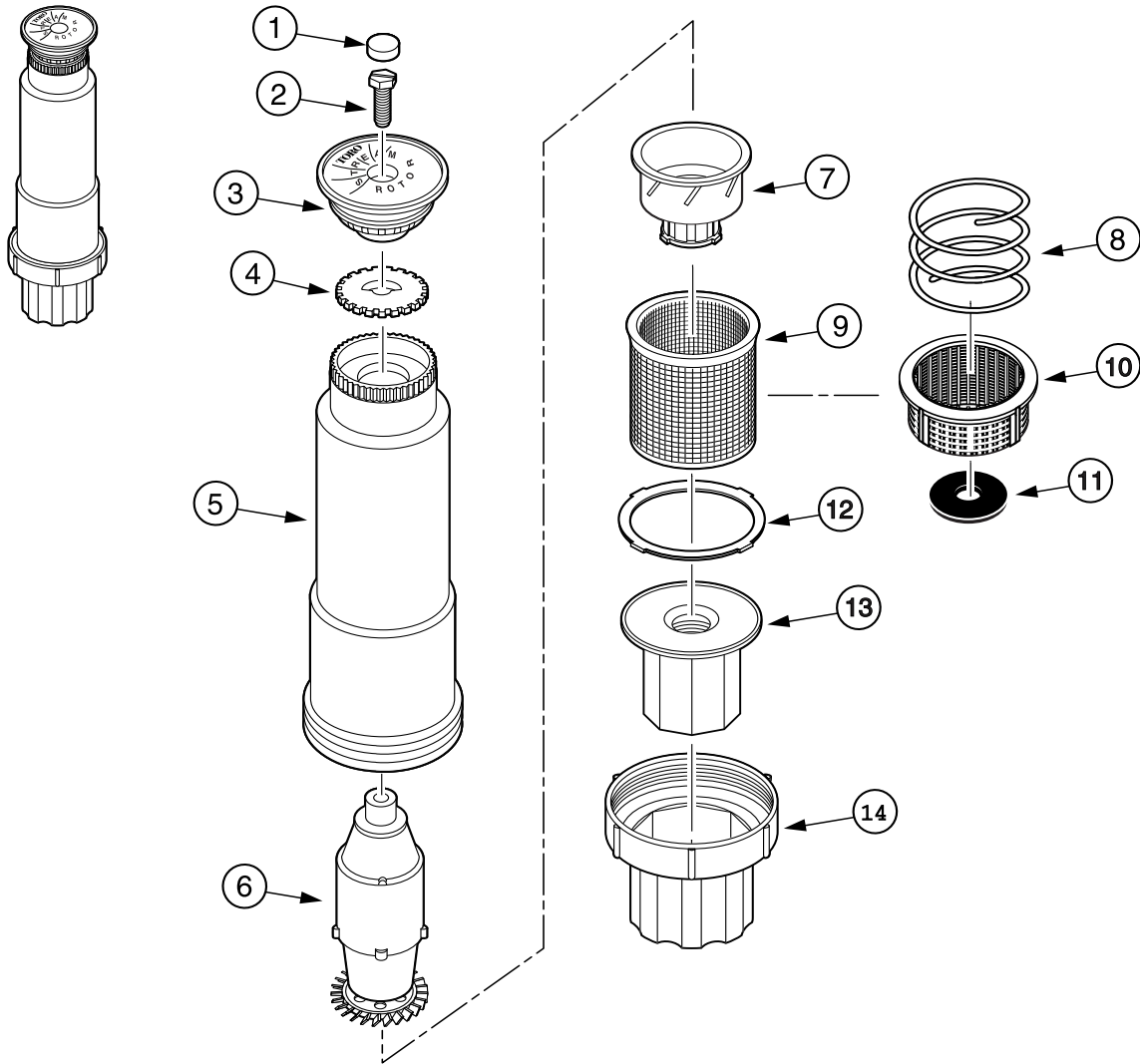
Order No.	Description
*850-65	Stream Rotor Arc Disc Organizer

Effluent Water Indicators

Order No.	Description
*89-7853	Omni Nozzle Cover (Lawn and Shrub)
*89-7854	Omni Nozzle Cover (High-pop)
*89-7889	300 Stream Rotor Plug (Fixed Radius Nozzles)
*89-9097	Base, Shrub

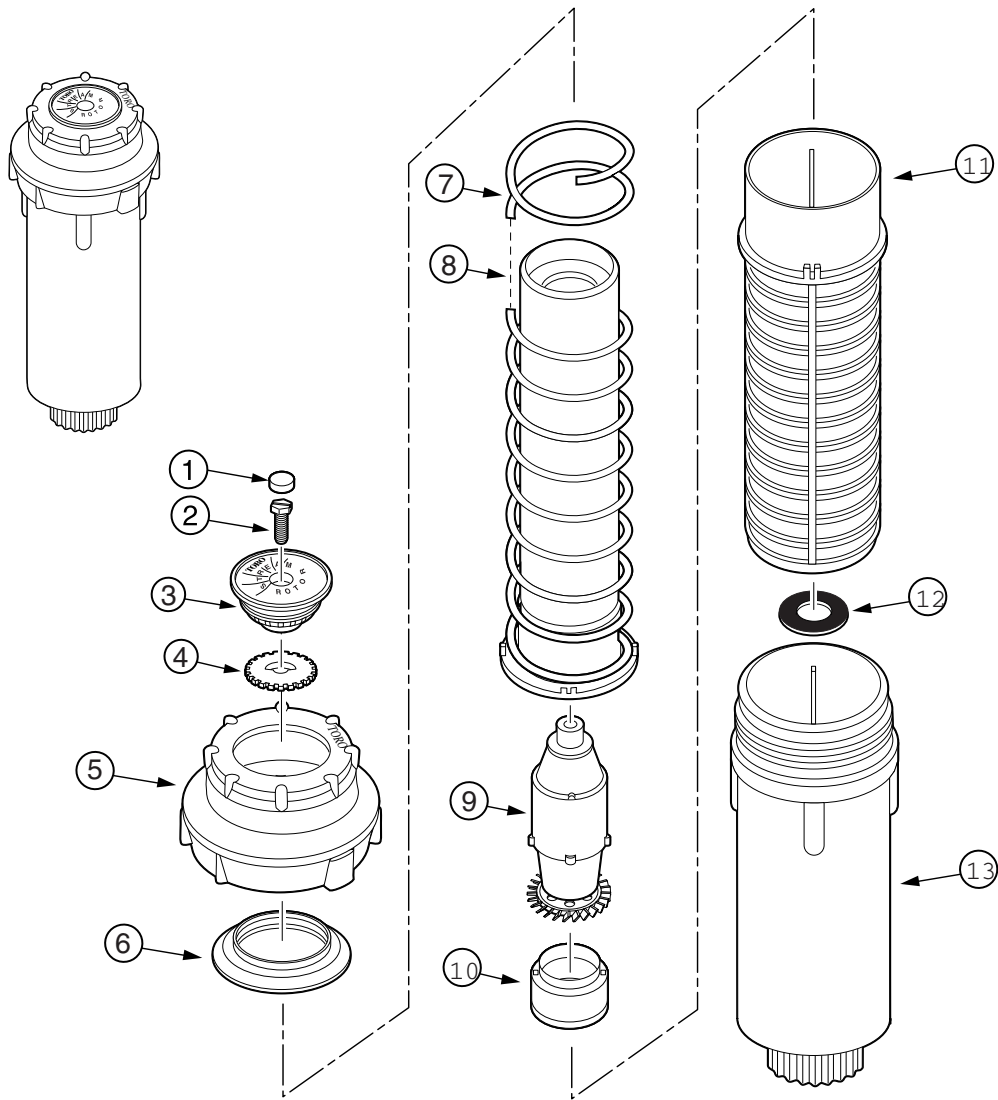
* Order Through Finished Goods Distribution System—Minneapolis

340 Shrub



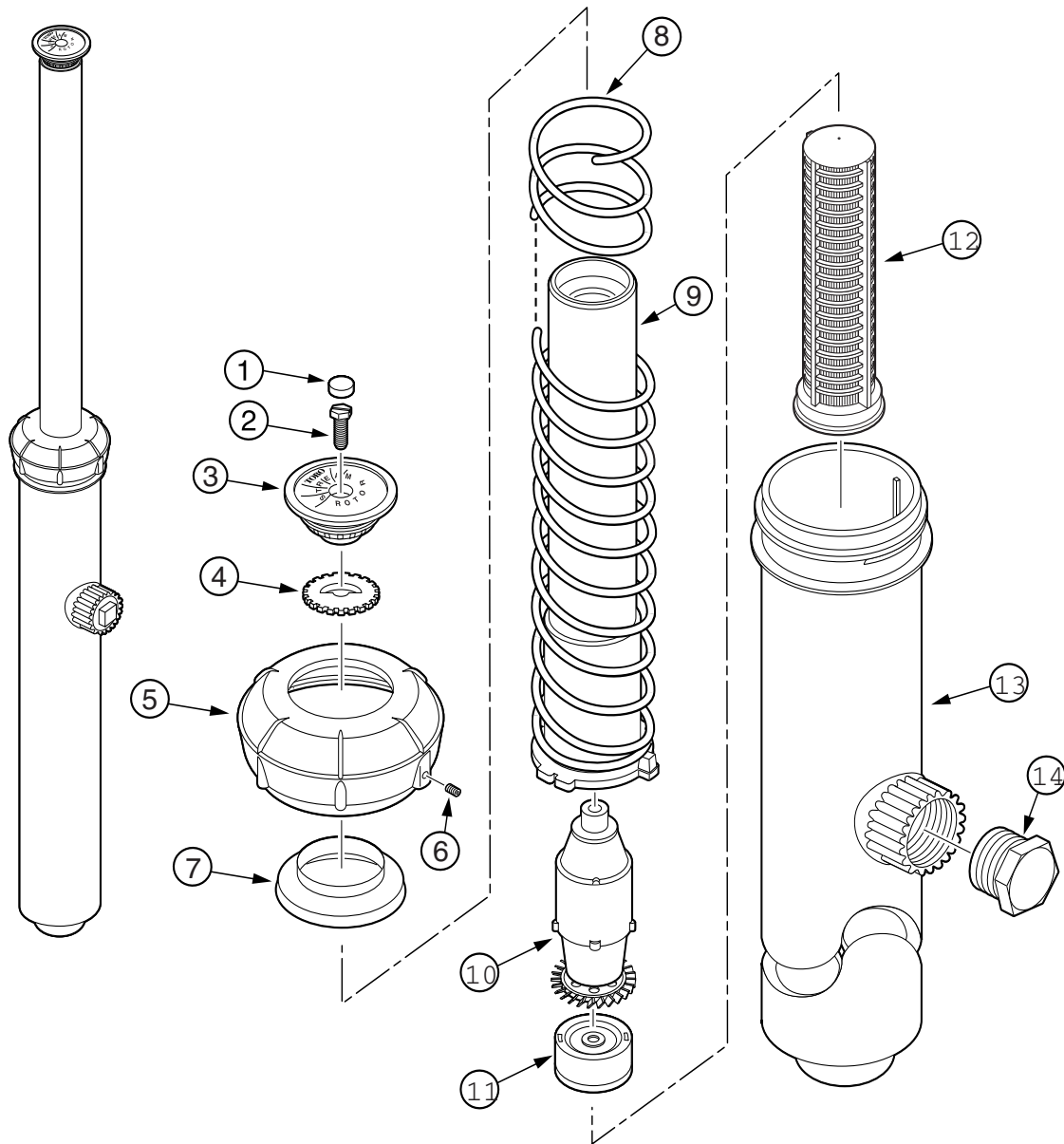
Item No.	Part No.	Description	Quantity Per Assy.
1	-----	Plug, Cap, Nozzle (See p. 9)	1
2	360-0272	Screw, Machine, Nozzle, 8-32 x 7/8"	1
3	-----	Nozzle Assy. (See p. 9) (Includes Items 1 & 2)	1
4	-----	Disc, Arc (See p. 9)	1
5	9-5210	Body, Shrub	1
6	35-8580	Drive Assy., 340/XP300	1
7	89-6929	Stator Assy., Shrub	1
8	102-0579	Spring, COM	1
9	9-5212	Screen, Basket	1
10	102-0575	Screen, COM	1
11	89-7561	Seal, COM	1
12	9-5211	Seal	1
13	89-6094	Threaded Insert, 3/4" & 1/2"	1
13	102-0577	Threaded Insert, 3/4" & 1/2", COM	1
14	89-8305	Base, Shrub	1

340 Lawn



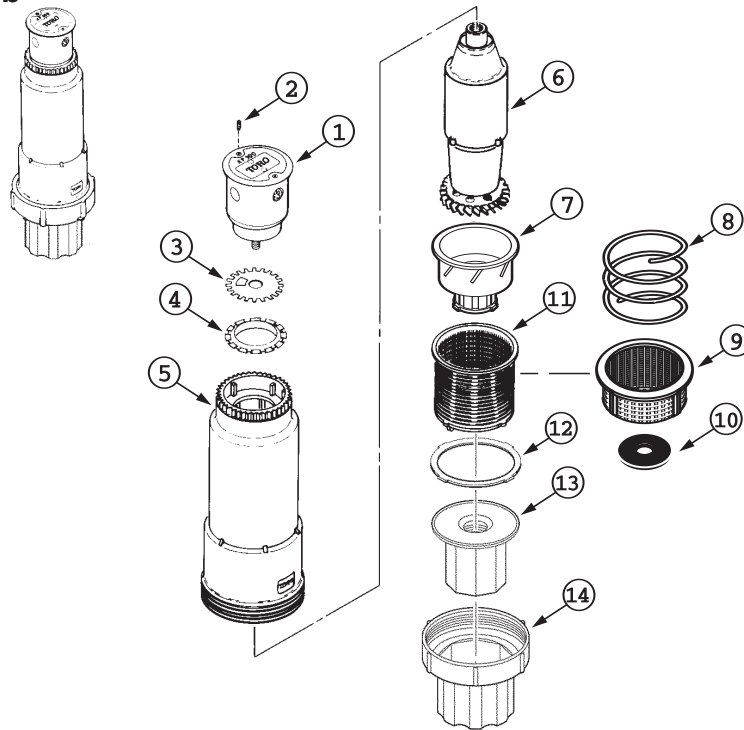
Item No.	Part No.	Description	Quantity Per Assy.
1	-----	Plug, Cap, Nozzle (See p. 9)	1
2	360-0272	Screw, Machine, Nozzle, 8-32 x 7/8"	1
3	-----	Nozzle Assy. (See p. 9) (Includes Items 1 & 2)	1
4	-----	Disc, Arc (See p. 9)	1
5	35-8962	Cap, Lawn	1
6	89-2037	Seal, Riser	1
7	89-2039	Spring, Return	1
8	89-2035	Riser	1
9	35-8580	Drive Assy., 340/XP300	1
10	89-9761	Stator Assy., Variable, 340 (Includes Service 89-1918 [Stator Housing] & 89-1919 [Stator Diaphragm])	1
11	89-2036	Screen, Basket	1
12	89-9841	Seal, Check	1
13	9-1661	Body	1

340 High-pop



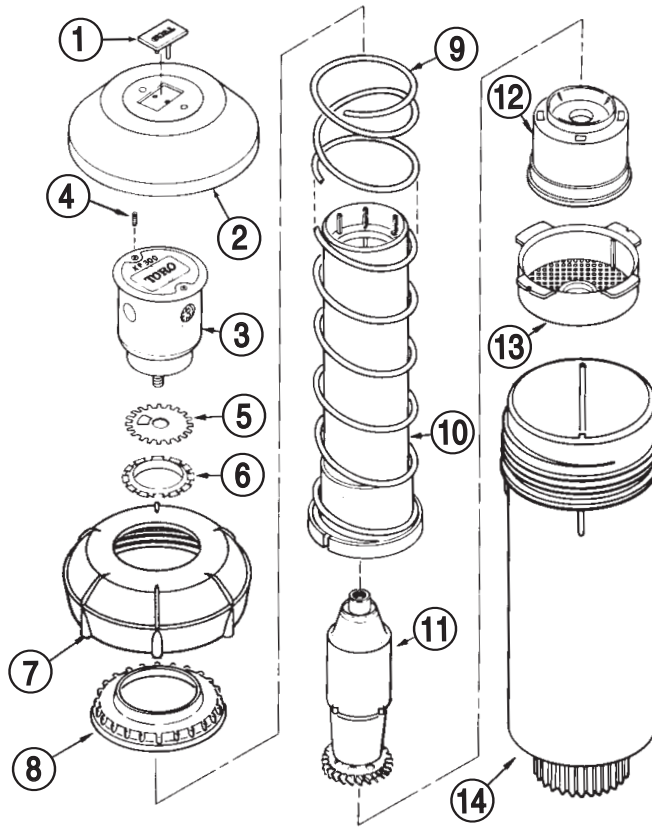
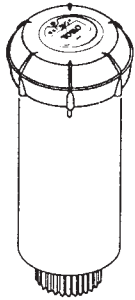
Item No.	Part No.	Description	Quantity Per Assy.
1	-----	Plug, Cap, Nozzle (See p. 9)	1
2	360-0272	Screw, Machine, Nozzle, 8-32 x 7/8"	1
3	-----	Nozzle Assy. (See p. 9) (Includes Items 1 & 2)	1
4	-----	Disc, Arc (See p. 9)	1
5	35-0481	Cap Assy., High-pop, (Includes Item 6)	1
6	360-0223	Screw, Set, Half-dog Point, 6-32 x 1/4"	1
7	9-4572	Seal, Riser	1
8	35-7579	Spring, Return	1
9	9-4570	Riser	1
10	35-8580	Drive Assy., 340/XP300	1
11	9-5683	Stator Assy., Variable	1
12	9-4571	Screen, Basket	1
13	89-1960	Body, HP w/Side Inlet	1
14	363-3779	Plug, 3/4" NPT	1

XP-300 Shrub



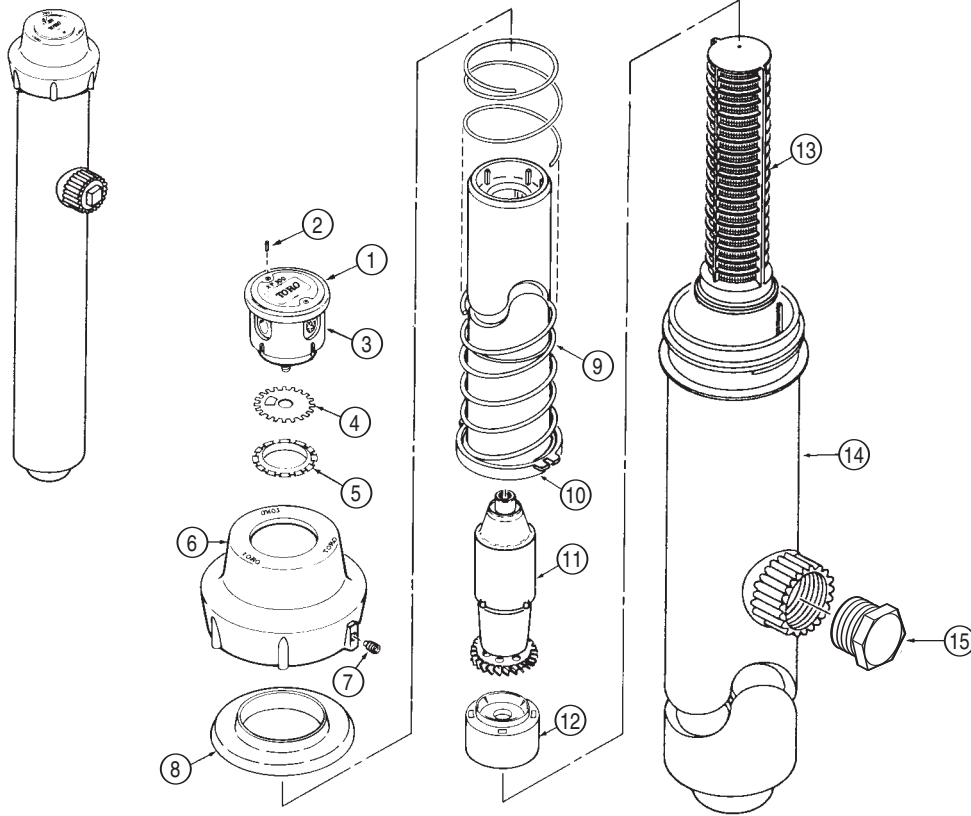
Item No.	Part No.	Description	Quantity Per Assy.
1	*35-5460	Nozzle Assy., 5.0 GPM	1
1	*XP300-02	Nozzle Assy., 7.0 GPM	1
1	*XP300-03	Nozzle Assy., 9.0 GPM	1
1	*XP300-04	Nozzle Assy., 10.0 GPM	1
2	360-0223	Screw, Set, Half-dog Point, 6-32 x 1/4"	2
3	*XP304-00	Disc, Arc, 90°	1
3	*XP305-00	Disc, Arc, 115°	1
3	*XP306-00	Disc, Arc, 140°	1
3	*XP307-00	Disc, Arc, 165°	1
3	*XP308-00	Disc, Arc, 180°	1
3	*XP309-00	Disc, Arc, 195°	1
3	*XP310-00	Disc, Arc, 210°	1
3	*XP311-00	Disc, Arc, 225°	1
3	*XP312-00	Disc, Arc, 250°	1
3	*XP313-00	Disc, Arc, 270°	1
3	*XP314-00	Disc, Arc, 360°	1
4	35-2137	Seal	1
5	35-2187	Body, Shrub	1
6	35-8580	Drive Assy., 340/XP300	1
7	89-6929	Stator Assy.	1
8	102-0579	Spring, COM	1
9	102-0575	Screen, Basket, COM	1
10	89-7561	Seal, Check, COM	1
11	9-5212	Screen, Basket	1
12	9-5211	Seal	1
13	89-6094	Threaded Insert, 3/4" & 1/2"	1
13	102-0577	Threaded Insert, 3/4" & 1/2", COM	1
14	89-8305	Base, Shrub	1
		SERVICE ITEMS	
	9-5209	Base, Shrub (Pre-10/97)	
	9-5698	Insert, 1/2"	
	9-5699	Insert, 3/4"	
	89-3816	Cover, Lavender, XP300/S600/S700	
		* Order Through Finished Goods Distribution System—Minneapolis	

XP-300 Lawn



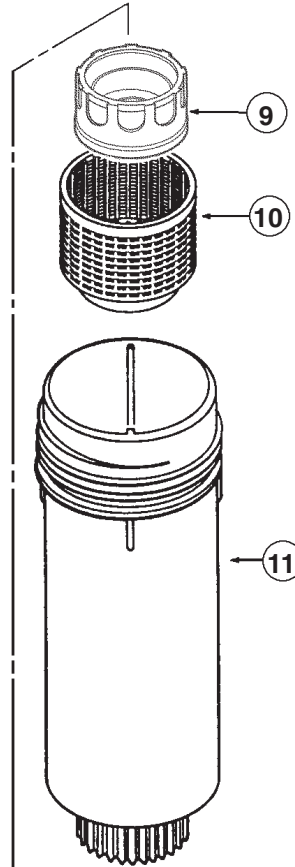
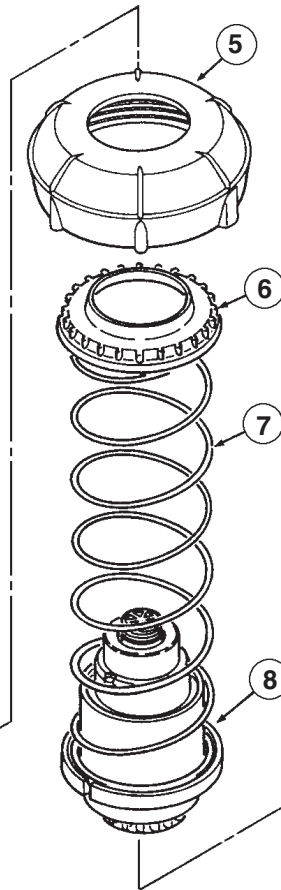
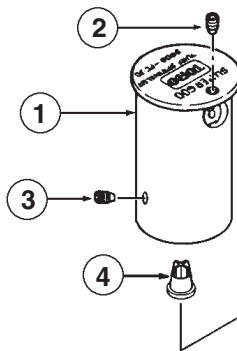
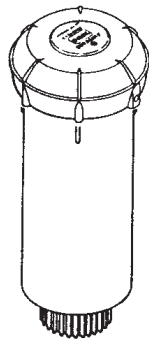
Item No.	Part No.	Description	Quantity Per Assy.
1	35-1776	Plug, Retainer, Rubber Cover (See Service Item 600-01)	1
2	35-1565	Cover, Rubber (See Service Item 600-01)	1
3	*35-5460	Nozzle Assy., 5.0 GPM	1
3	*XP300-02	Nozzle Assy., 7.0 GPM	1
3	*XP300-03	Nozzle Assy., 9.0 GPM	1
3	*XP300-04	Nozzle Assy., 10.0 GPM	1
4	360-0223	Screw, Set, Half-dog Point, 6-32 x 1/4"	2
5	*XP304-00	Disc, Arc, 90°	1
5	*XP305-00	Disc, Arc, 115°	1
5	*XP306-00	Disc, Arc, 140°	1
5	*XP307-00	Disc, Arc, 165°	1
5	*XP308-00	Disc, Arc, 180°	1
5	*XP309-00	Disc, Arc, 195°	1
5	*XP310-00	Disc, Arc, 210°	1
5	*XP311-00	Disc, Arc, 225°	1
5	*XP312-00	Disc, Arc, 250°	1
5	*XP313-00	Disc, Arc, 270°	1
5	*XP314-00	Disc, Arc, 360°	1
6	35-2137	Seal	1
7	9-4394	Cap	1
8	9-4449	Seal, Riser	1
9	9-2137	Spring, Return	1
10	35-2138	Riser	1
11	35-8580	Drive Assy., 340/XP300	1
12	35-2858	Stator Assy.	1
13	35-2136	Screen, Basket	1
14	9-1661	Body	1
		SERVICE ITEMS	
	600-01	Kit, Rubber Cover (Includes Items 1, 2 and 7)	
	89-3816	Cover, Lavender, XP300/S600/S700 (Replaces Item 1)	
		* Order Through Finished Goods Distribution System—Minneapolis	

XP-300 High-pop



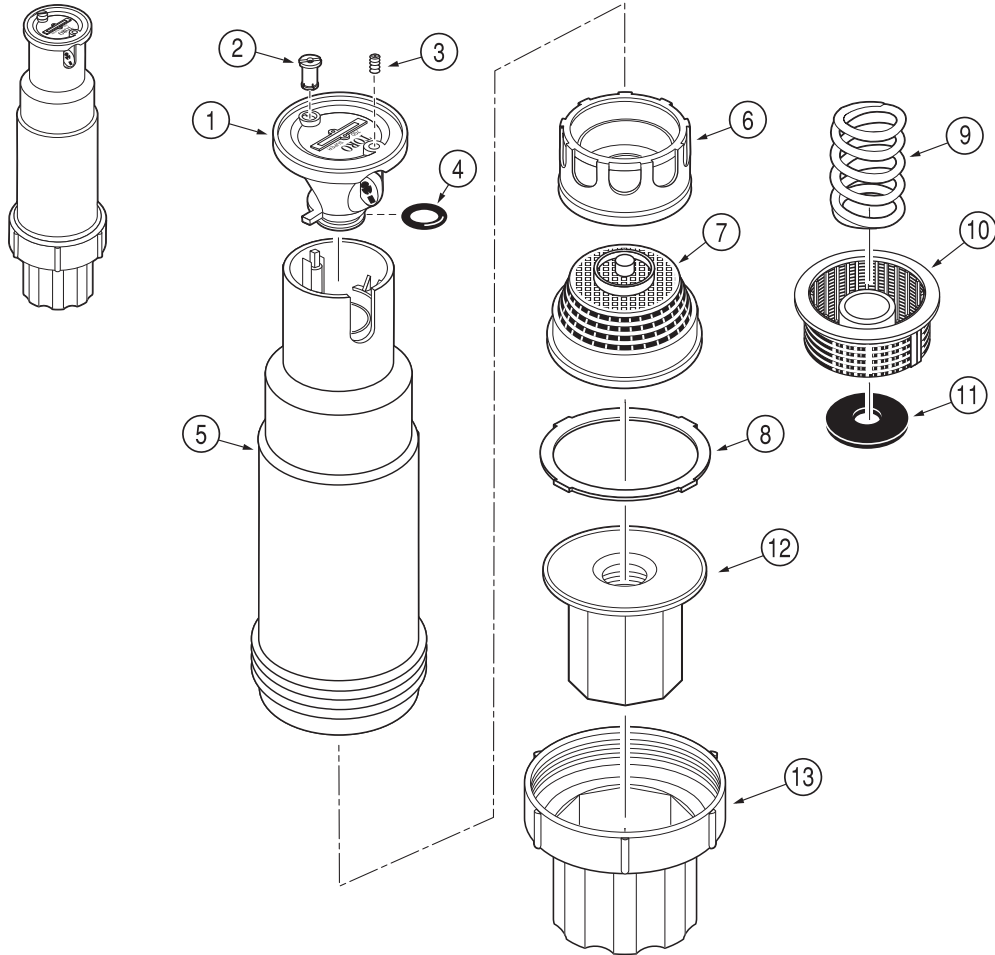
Item No.	Part No.	Description	Quantity Per Assy.
1	*35-5460	Nozzle Assy., 5.06 GPM	1
1	*35-2249	HP Nozzle Sleeve	1
1	*XP312-02	Nozzle Assy., with sleeve, 7.0 (Includes Items 1-3)	1
1	*XP312-03	Nozzle Assy., with sleeve, 9.0 (Includes Items 1-3)	1
1	*XP312-04	Nozzle Assy., with sleeve, 10.0 (Includes Items 1-3)	1
2	360-0223	Screw, Set, Half-dog Point, 6-32 x 1/4"	1
3	35-2249	Sleeve, Nozzle	1
4	*XP304-00	Disc, Arc, 90°	1
4	*XP305-00	Disc, Arc, 115°	1
4	*XP306-00	Disc, Arc, 140°	1
4	*XP307-00	Disc, Arc, 165°	1
4	*XP308-00	Disc, Arc, 180°	1
4	*XP309-00	Disc, Arc, 195°	1
4	*XP310-00	Disc, Arc, 210°	1
4	*XP311-00	Disc, Arc, 225°	1
4	*XP312-00	Disc, Arc, 250°	1
4	*XP313-00	Disc, Arc, 270°	1
4	*XP314-00	Disc, Arc, 360°	1
5	35-2137	Seal	1
6	35-4515	Cap, Locking w/Set Screw	1
7	360-0223	Screw, Set, Half-dog Point, 6-32 x 1/4"	1
8	35-3630	Seal, Riser	1
9	35-7579	Spring, Retraction	1
10	35-2247	Riser	1
11	35-8580	Drive Assy., 340/XP300	1
12	35-3822	Stator Assy.	1
13	9-4571	Screen, Basket	1
14	89-1960	Body, HP w/Side Inlet	1
15	363-3779	Plug, 3/4" NPT	1
	SERVICE ITEMS		
	89-3816	Cover, Lavender, XP300/S600/S700 (Inserts in Top of Nozzle)	
		* Order Through Finished Goods Distribution System-Minneapolis	

S600 Series



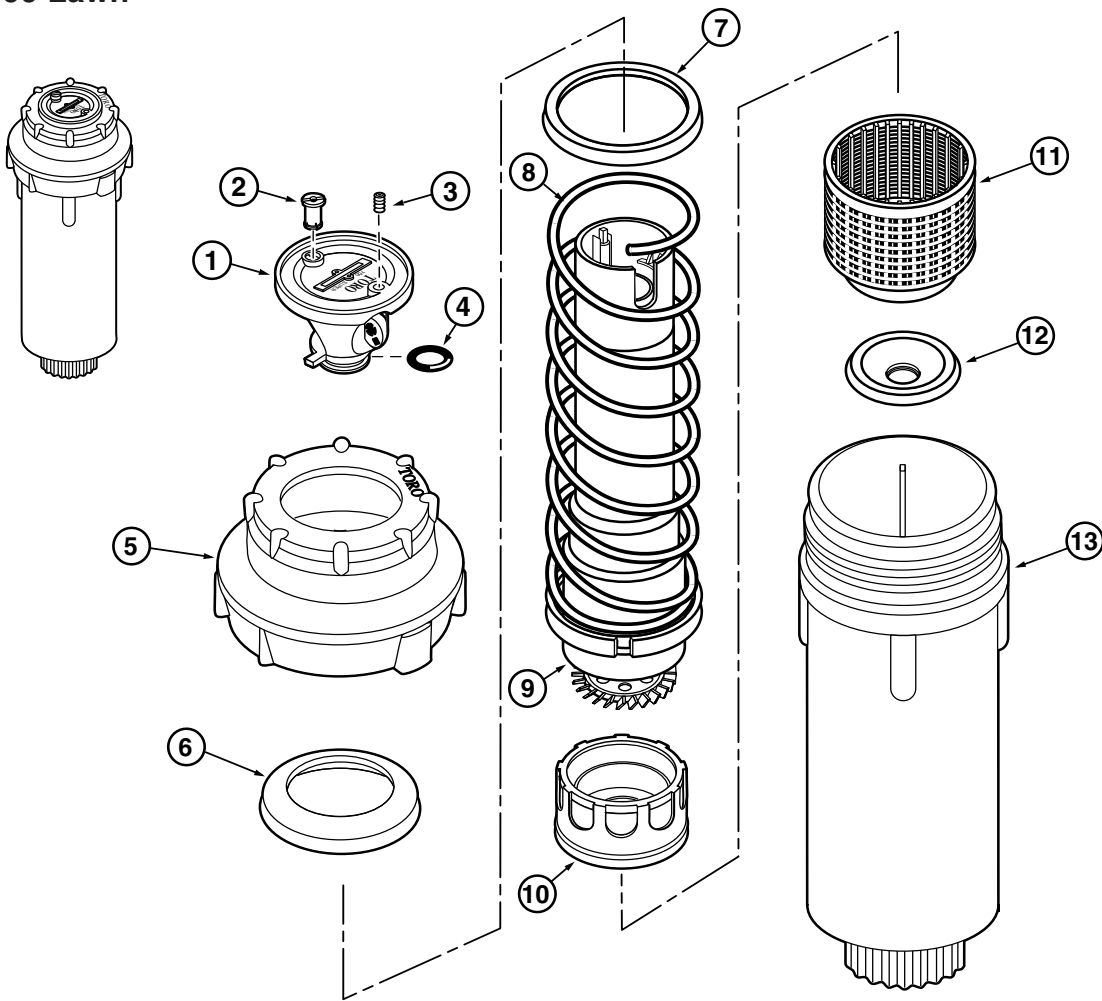
Item No.	Part No.	Description	Quantity Per Assy.
1	35-1213	Nozzle Assy., PC 1.3 (Includes Items 1-4)	1
1	35-1215	Nozzle Assy., PC 2.5 (Includes Items 1-4)	1
1	35-1217	Nozzle Assy., PC 5.0 (Includes Items 1-4)	1
1	35-1219	Nozzle Assy., FC 1.3 (Includes Items 1-4)	1
1	35-1221	Nozzle Assy., FC 2.5 (Includes Items 1-4)	1
1	35-1223	Nozzle Assy., FC 5.0 (Includes Items 1-4)	1
2	360-0223	Screw, Set, Half-dog Point, 6-32 x 1/4"	1
3	360-0223	Screw, Set, Half-dog Point, 6-32 x 1/4"	1
4	35-2852	Seal, Nozzle	1
5	9-4394	Cap (S600)	1
6	9-4395	Seal, Riser	1
7	9-1995	Spring, Retraction	1
8	35-2614	Drive Assy., FC	1
8	35-2613	Drive Assy., PC	1
9	35-6323	Stator Assembly, Variable	1
10	9-1691	Screen	1
11	9-1661	Body	1
		SERVICE ITEMS	
	600-01	Kit, Rubber Cover	
	840-01	Kit, Check Valve	
	89-0875	Restrictor, Low Pressure	
	35-1344	Cap Assy., Locking (S600C)	
	89-3816	Cover, Lavender, XP300/S600/S700 (Inserts in Top of Nozzle)	

S700 Shrub



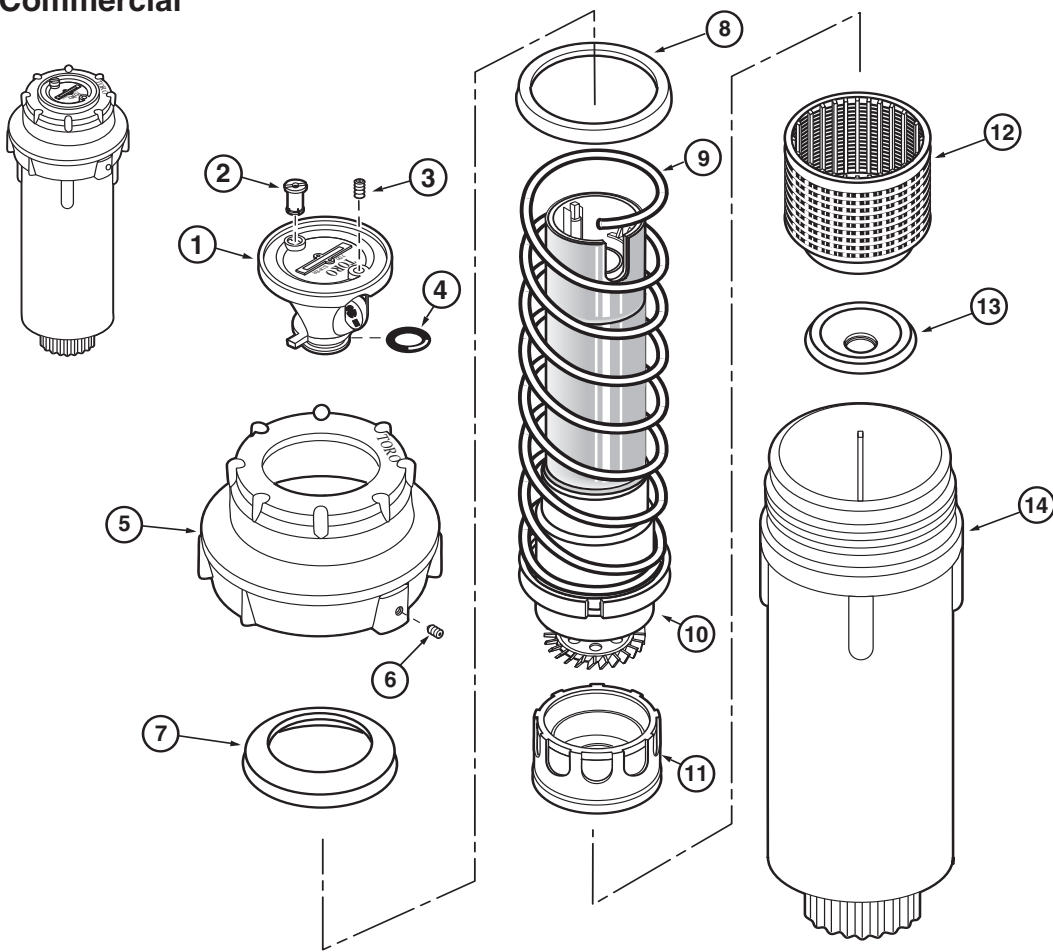
Item No.	Part No.	Description	Quantity Per Assy.
1	-----	Nozzle Assy. (Includes Items 1-4, see p. 21)	1
2	-----	Lock, Nozzle Pin (See p. 21)	1
3	-----	Screw, Set, Half-dog, 6-32 x 1/4" (See p. 21)	1
4	-----	O-Ring, .070" x .426" x .566" (White) (See p. 21)	1
5	35-8922	Body Assy., PC	1
5	35-8927	Body Assy., FC	1
6	35-6323	Stator Assy., Variable	1
7	89-1161	Screen, S700 Shrub	1
8	9-5211	Seal	1
9	102-0580	Spring, COM	1
10	102-0576	Screen, COM	1
11	89-7561	Seal, Check, COM	1
12	89-6094	Threaded Insert, 3/4" & 1/2"	1
12	102-0577	Threaded Insert, 3/4" & 1/2", COM	1
13	89-8305	Base, Shrub	1
		SERVICE ITEMS	
	9-5209	Base, Shrub (Pre-10/97)	
	9-5698	Threaded Insert, 1/2"	
	9-5699	Threaded Insert, 3/4"	
	89-3816	Cover, Lavender, XP300/S600/S700 (Inserts in Top of Nozzle).	
		SERVICE TOOLS	
	89-1375	Nozzle Tool & Wrench	

S700 Lawn



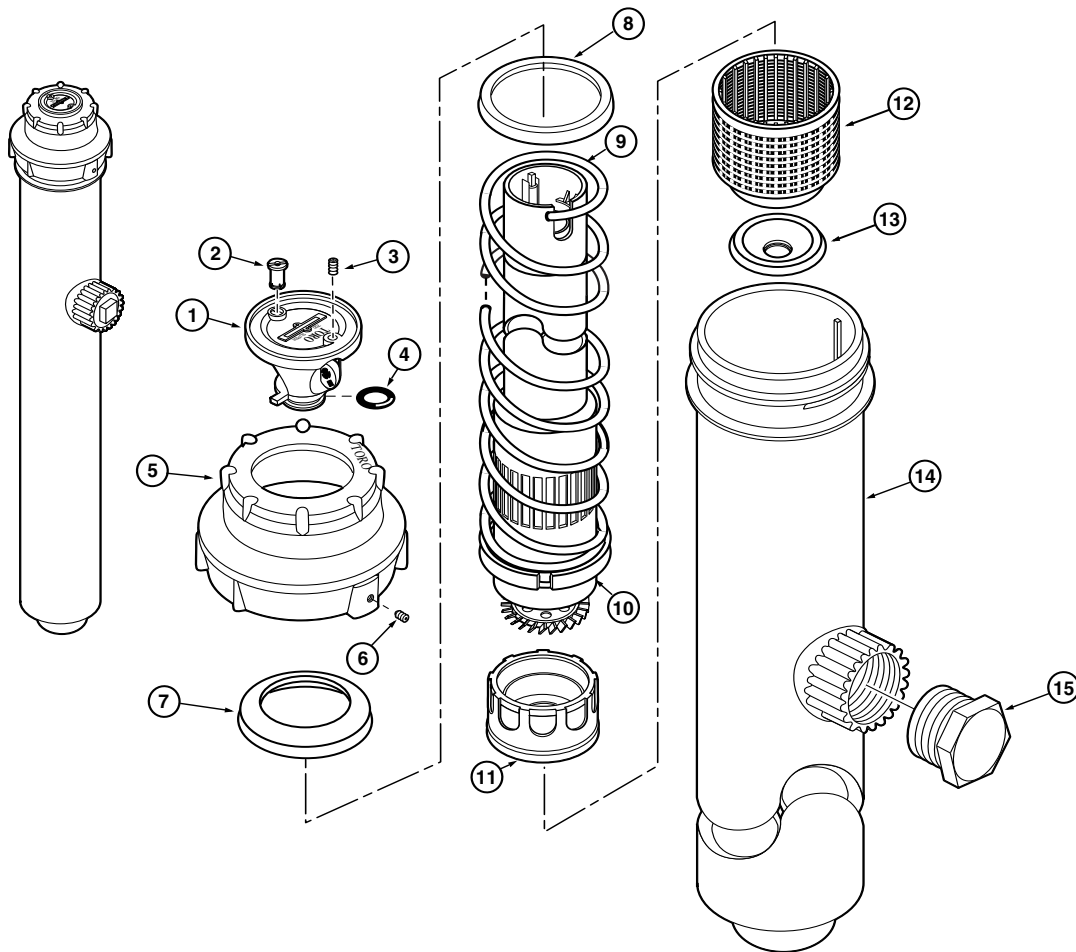
Item No.	Part No.	Description	Quantity Per Assy.
1	-----	Nozzle Assy. (Includes Items 1–4, see p. 21)	1
2	-----	Lock, Nozzle Pin (See p. 21)	1
3	-----	Screw, Set, Half-dog, 6-32 x 1/4" (See p. 21)	1
4	-----	O-Ring, 0.070" x 0.426" x 0.566" (White) (See p. 21)	1
5	35-8962	Cap, Lawn	1
6	35-3145	Seal, Riser	1
7	89-0995	Sleeve, Spring	1
8	35-4508	Spring, Retraction	1
9	35-8912	Riser Assy., FC	1
9	35-8913	Riser Assy., PC	1
10	35-6323	Stator Assy., Variable	1
11	9-1691	Screen	1
12	89-0266	Check Valve (COM Models Only)	1
13	9-1661	Body	1
		SERVICE ITEMS	
	700-10	Kit, Cover, Rubber	
	89-0323	Cover, Nozzle (For Use with Non-locking Nozzles Only)	
	89-0805	Restrictor, Low Pressure	
	89-3816	Cover, Lavender, XP300/S600/S700 (Inserts in Top of Nozzle)	
		SERVICE TOOLS	
	89-1375	Nozzle Tool & Wrench	

S700 Commercial



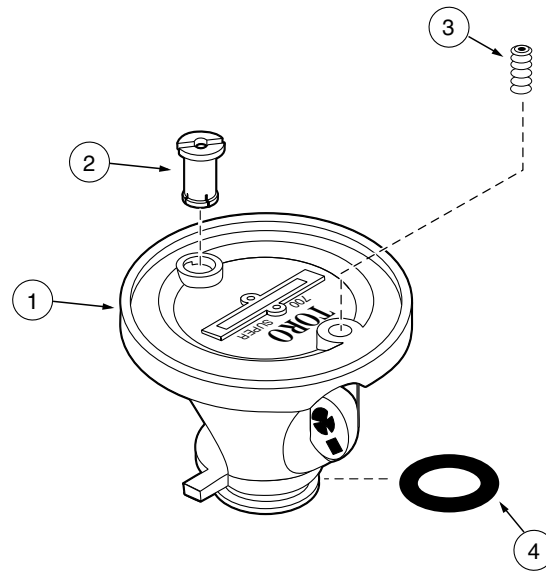
Item No.	Part No.	Description	Quantity Per Assy.
1	-----	Nozzle Assy. (Includes Items 1–4, see p. 21)	1
2	-----	Lock, Nozzle Pin (See p. 21)	1
3	-----	Screw, Set, Half-dog, 6-32 x1/4" (See p. 21)	1
4	-----	O-Ring, 0.070" x 0.426" x 0.566" (White) (See p. 21)	1
5	35-8963	Cap Assy., 700C Locking	1
6	360-0223	Screw, Set, Half-dog Point, 6-32 x 1/4"	1
7	35-8964	Seal, Riser (S700C)	1
8	89-0995	Sleeve, Spring	1
9	35-4508	Spring, Retraction	1
10	35-8931	Riser Assy., PC (w/Stainless Steel Sleeve)	1
10	35-8932	Riser Assy., FC (w/Stainless Steel Sleeve)	1
11	35-6323	Stator Assy., Variable	1
12	9-1691	Screen	1
13	89-0266	Check Valve	1
14	9-1661	Body	1
		SERVICE ITEMS	
	700-10	Kit, Cover, Rubber	
	89-0323	Cover, Nozzle (For Use with Non-locking Nozzles Only)	
	89-0805	Restrictor, Low Pressure	
	89-3816	Cover, Lavender, XP300/S600/S700 (Inserts in Top of Nozzle)	
		SERVICE TOOLS	
	89-1375	Nozzle Tool & Wrench	

S700 High-Pop



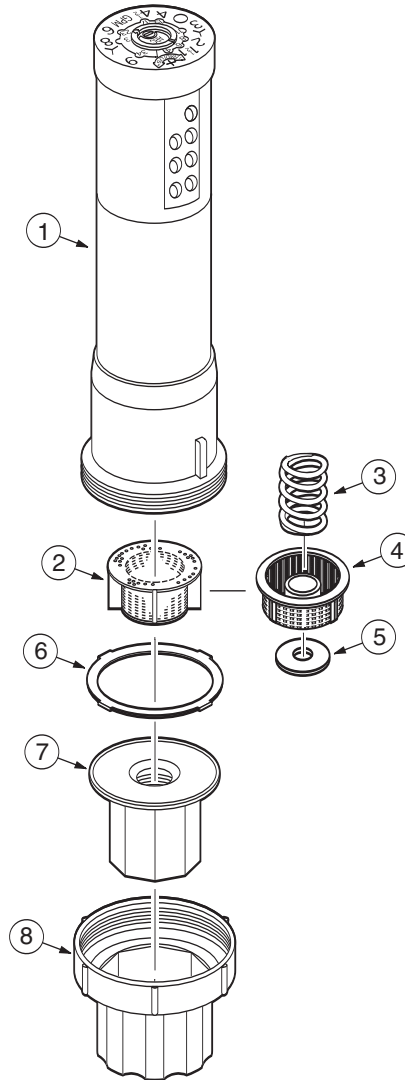
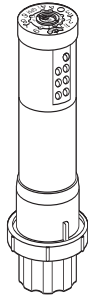
Item No.	Part No.	Description	Quantity Per Assy.
1	-----	Nozzle Assy. (See p. 21, Includes Items 1-4)	1
2	-----	Lock, Nozzle Pin (See p. 21)	1
3	-----	Screw, Set, Half-dog, 6-32 x 1/4" (See p. 21)	1
4	-----	O-Ring, 0.070" x 0.426" x 0.566" (White) (See p. 21)	1
5	89-0111	Cap, 700 Locking	1
6	360-0223	Screw, Set, Half-dog Point, 6-32 x 1/4"	1
7	35-3145	Seal, Riser	1
8	89-0995	Sleeve, Spring	1
9	35-5196	Spring, Retraction	1
10	35-8916	Riser Assy., PC	1
10	35-8918	Riser Assy., FC	1
11	35-6323	Stator Assy., Variable	1
12	9-1691	Screen	1
13	89-0266	Check Valve	1
14	89-1960	Body, HP w/Side Inlet	1
15	363-3779	Plug, 3/4" NPT Male	1
		SERVICE ITEMS	
	700-10	Kit, Cover, Rubber	
	89-0323	Cover, Nozzle (For Use with Non-locking Nozzles Only)	
	89-0805	Restrictor, Low Pressure	
	89-3816	Cover, Lavender, XP300/S600/S700 (Inserts in Top of Nozzle)	
		SERVICE TOOLS	
	89-1375	Nozzle Tool & Wrench	

S700 Nozzles



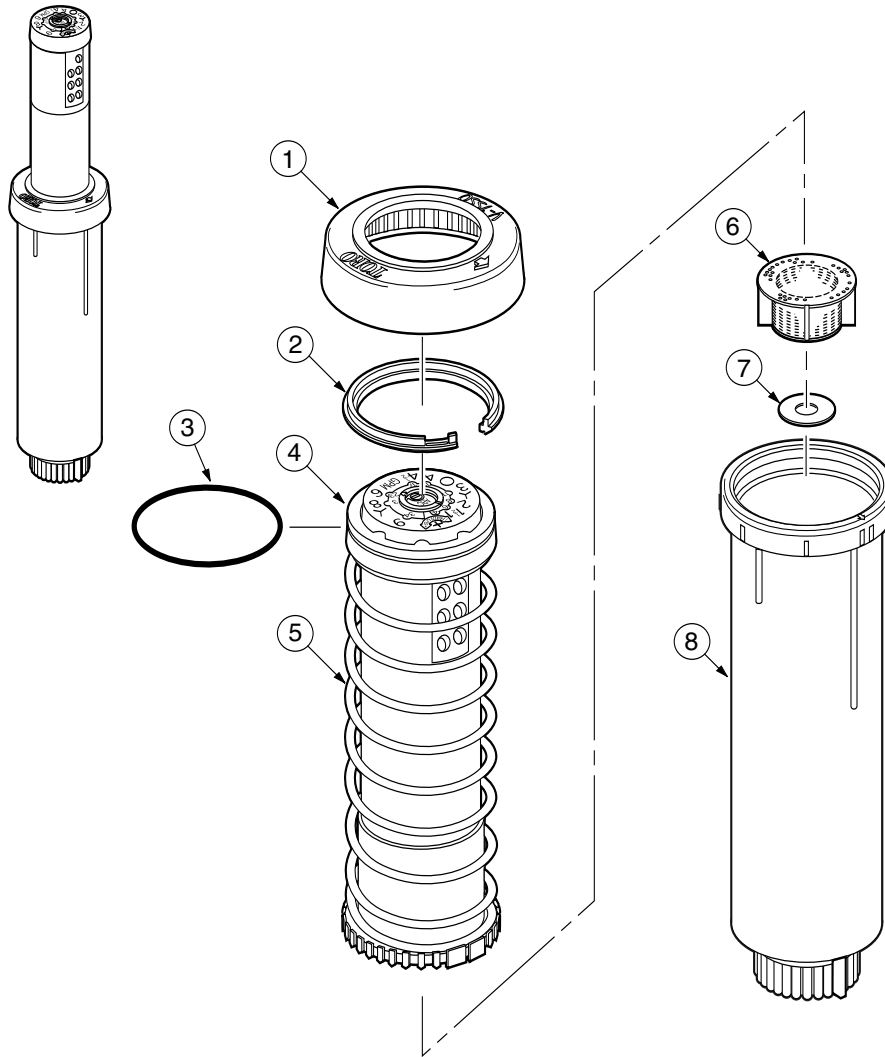
Item No.	Part No.	Description	Quantity Per Assy.
STANDARD ANGLE			
1	*89-0893L	Kit, Nozzle, 1.5, Orange (Includes Items 2–4)	1
1	*89-0894L	Kit, Nozzle, 2.0, Red (Includes Items 2–4)	1
1	*89-0895L	Kit, Nozzle, 3.0, Black (Includes Items 2–4)	1
1	*89-0896L	Kit, Nozzle, 4.5, Blue (Includes Items 2–4)	1
1	*89-0897L	Kit, Nozzle, 6.0, Green (Includes Items 2–4)	1
1	*89-0898L	Kit, Nozzle, 7.5, Tan (Includes Items 2–4)	1
1	*89-0899L	Kit, Nozzle, 9.0, Gray (Includes Items 2–4)	1
2	89-3003	Lock, Nozzle Pin, Standard Angle, Black	1
3	360-0223	Screw, Set, Half-dog Point, 6-32 x 1/4"	1
4	360-0494	O-Ring, .070" x .426" x .566" (White)	1
LOW ANGLE			
1	*89-1093L	Kit, Nozzle, 1.5, Orange (Includes Items 2–4)	1
1	*89-1095L	Kit, Nozzle, 2.0, Red (Includes Items 2–4)	1
1	*89-1097L	Kit, Nozzle, 3.0, Black (Includes Items 2–4)	1
1	*89-1099L	Kit, Nozzle, 4.5, Blue (Includes Items 2–4)	1
1	*89-1101L	Kit, Nozzle, 6.0, Green (Includes Items 2–4)	1
1	*89-1103L	Kit, Nozzle, 7.5, Tan (Includes Items 2–4)	1
1	*89-1105L	Kit, Nozzle, 9.0, Gray (Includes Items 2–4)	1
2	89-3748	Lock, Nozzle Pin, Low Angle, Gray	1
3	360-0223	Screw, Set, Half-dog Point, 6-32 x 1/4"	1
4	360-0494	O-Ring, .070" x .426" x .566" (White)	1
FLAT ANGLE			
1	*89-1936L	Kit, Nozzle, 1.5, Orange (Includes Items 2–4)	1
1	*89-1938L	Kit, Nozzle, 2.0, Red (Includes Items 2–4)	1
1	*89-1940L	Kit, Nozzle, 3.0, Black (Includes Items 2–4)	1
1	*89-1942L	Kit, Nozzle, 4.5, Blue (Includes Items 2–4)	1
1	*89-1944L	Kit, Nozzle, 6.0, Green (Includes Items 2–4)	1
1	*89-1946L	Kit, Nozzle, 7.5, Tan (Includes Items 2–4)	1
1	*89-1948L	Kit, Nozzle, 9.0, Gray (Includes Items 2–4)	1
2	89-3749	Lock, Nozzle Pin, Flat Angle, Beige	1
3	363-3214	Screw, Set, Half-dog, 5-40 x 3/8" (Black)	1
4	360-0494	O-Ring, .070" x .426" x .566" (White)	1
* Order Through Finished Goods Distribution System—Minneapolis			

V-1550-Shrub



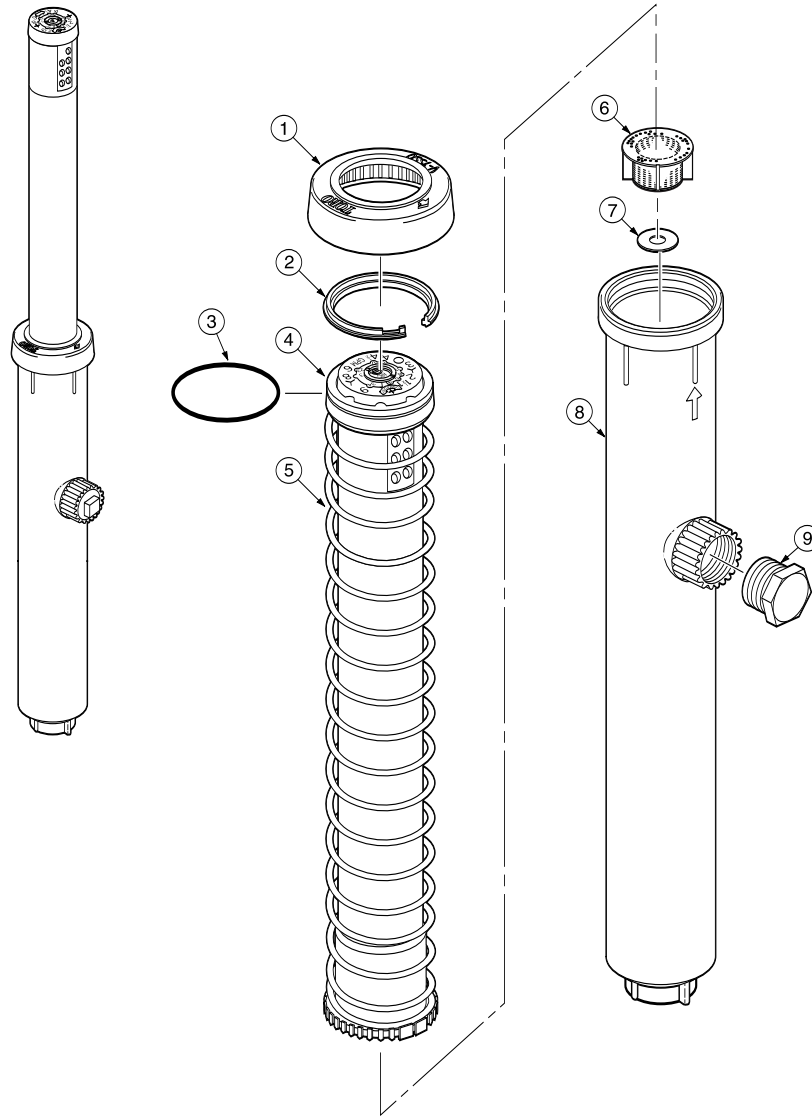
Item No.	Part No.	Description	Quantity Per Assy.
1	*V-1550-S	Body Assy., PC (Includes Items 2–8)	1
1	*V-1550-SF	Body Assy., FC (Includes Items 2–8)	1
1	*V-1550-SL	Body Assy., PC (w/Low-pressure Nozzle) (Includes Items 2–8)	1
1	*V-1550-SFL	Body Assy., FC (w/Low-pressure Nozzle) (Includes Items 2–8)	1
1	*V-1550	SCOM, Body Assy., PC (w/COM)	1
1	*V-1550	SFCOM, Body Assy., FC (w/COM)	1
2	89-5847	Screen	1
3	102-0581	Spring, COM	1
4	102-0576	Screen, COM	1
5	89-7561	Seal, Check, COM	1
6	9-5211	Seal	1
7	89-6094	Threaded Insert, 3/4" & 1/2"	1
7	102-0577	Threaded Insert, 3/4" & 1/2", COM	1
8	89-8305	Base, Shrub	1
		SERVICE TOOLS	
	89-7350	Adjustment Key	
		* Order Through Finished Goods Distribution System—Minneapolis	

V-1550-4



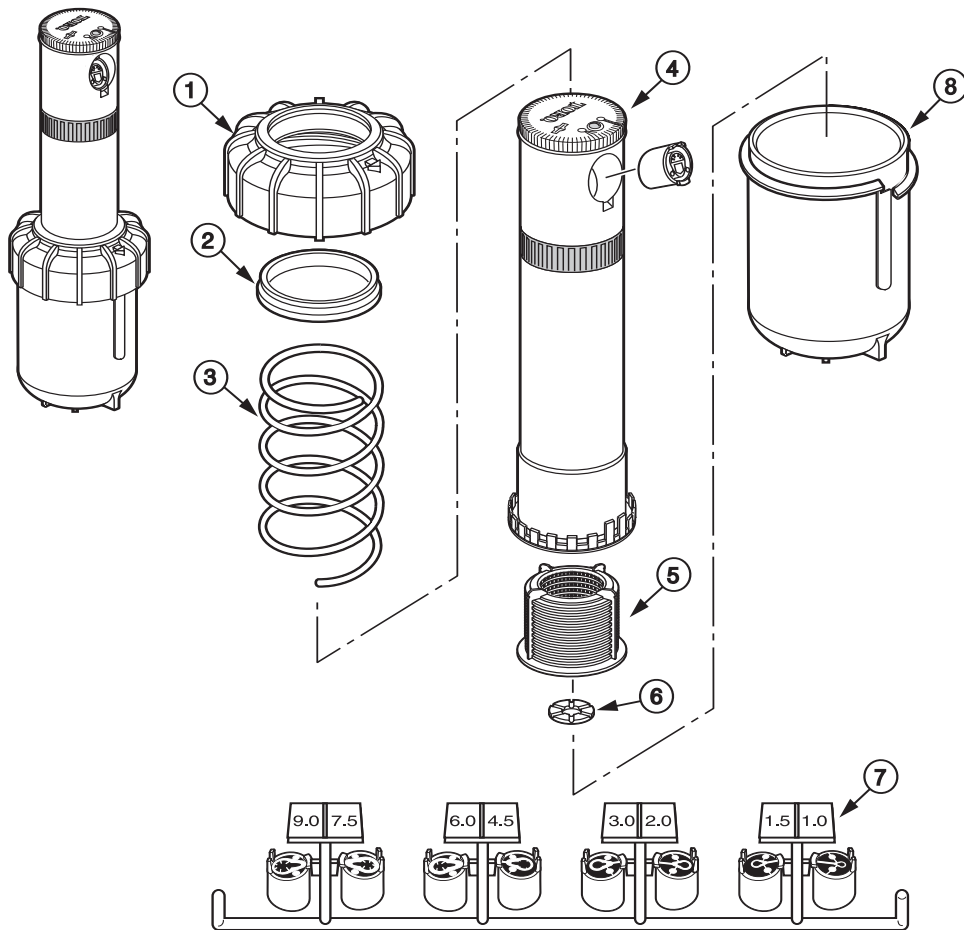
Item No.	Part No.	Description	Quantity Per Assy.
1	89-5840	Rubber Cover, Body	1
2	89-8657	Snap Ring	1
3	363-4195	O-Ring	1
4	-----	Retainer (See Service Items)	1
5	-----	Riser Assy. (See Service Items)	1
6	89-5847	Screen	1
7	89-7561	Seal, Check	1
8	89-8658	Body	1
		SERVICE ITEMS	
	89-7165	Spring Retainer (LFLP Model)	
	102-2780	Seal Retainer (LFLP Model)	
	102-2781	Riser Seal (LFLP Model)	
	102-3808	Spring Retainer & Seal Kit, V1550	
	102-2247	Retainer w/ O-Ring (Includes Items 3 and 4)	
	102-2798	V-1550-4FLFLP Riser Assy. (Full Circle, Low Flow, Low Pressure)	
	102-2799	V-1550-4LFLP Riser Assy. (Part Circle, Low Flow, Low Pressure)	
	89-8160	V-1550-4 Riser Assy. (Part Circle, Standard)	
	89-8162	V-1550-4F Riser Assy. (Full Circle, Standard)	
		SERVICE TOOLS	
	89-7350	Adjustment Key	
	995-83	Multi-purpose Tool	

V-1550-12



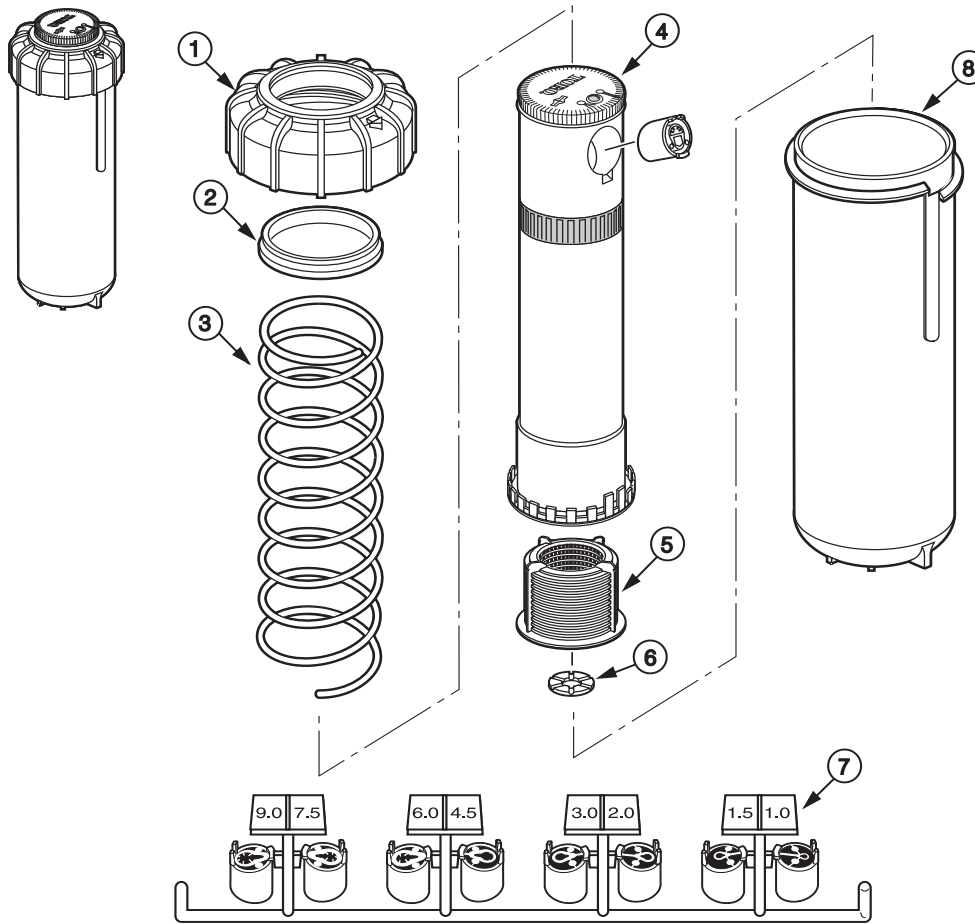
Item No.	Part No.	Description	Quantity Per Assy.
1	89-5840	Rubber Cover, Body	1
2	89-8657	Snap Ring	1
3	363-4195	O-Ring	1
4	-----	Retainer (See Service Items)	1
5	-----	Riser Assembly (See Service Items)	1
6	89-9428	Screen	1
7	89-7561	Seal, Check	1
8	89-5972	Body	1
9	363-3779	3/4" NPT Plug	1
		SERVICE ITEMS	
	89-7165	Spring Retainer (LFLP Model)	
	102-2780	Seal Retainer (LFLP Model)	
	102-2781	Riser Seal (LFLP Model)	
	102-3808	Spring Retainer & Seal Kit, V1550	
	102-2247	Retainer w/ O-Ring (Includes Items 3 and 4.)	
	102-2800	V-1550-12FLFLP Riser Assy. (Full Circle, Low Flow, Low Pressure)	
	102-2801	V-1550-12LFLP Riser Assy. (Part Circle, Low Flow, Low Pressure)	
	89-5877	V-1550-12 Riser Assy. (Part Circle, Standard)	
	89-7657	V-1550-12F Riser Assy. (Full Circle, Standard)	
		SERVICE TOOLS	
	89-7350	Adjustment Key	
	995-83	Multi-purpose Tool	

TR50 Shrub



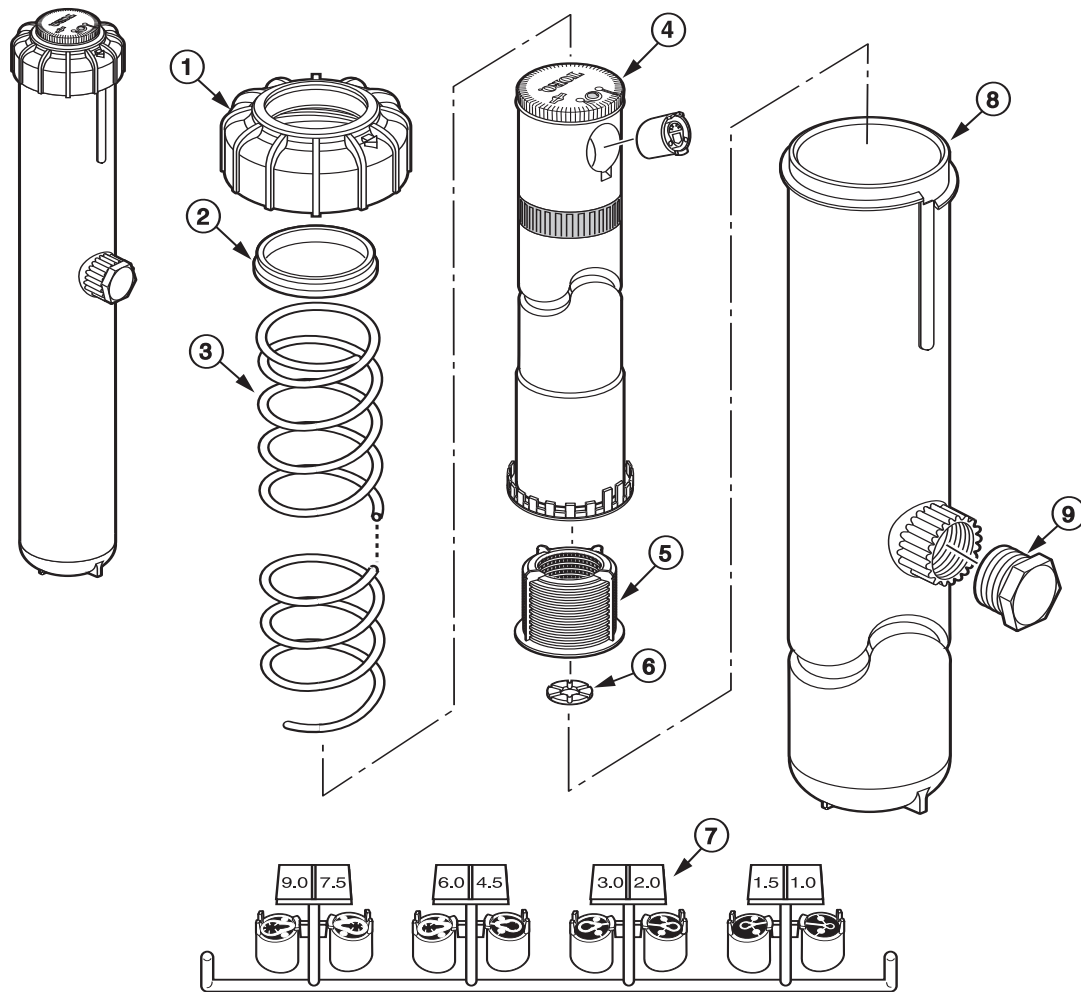
Item No.	Part No.	Description	Quantity Per Assy.
1	89-9437	Cap and Seal Assy.	1
2	89-9713	Ring, Retaining	1
3	89-9671	Spring, Shrub	1
4	89-9692	Riser Assy. (Includes Items 5, 6 and 3 GPM Nozzle)	1
5	89-9182	Screen	1
6	89-9183	Seal, Check	1
7	102-0088	Tree, Nozzle	1
8	89-9670	Body, Shrub	1
	102-1303	SERVICE TOOLS Adjustment Tool	

TR50 Lawn



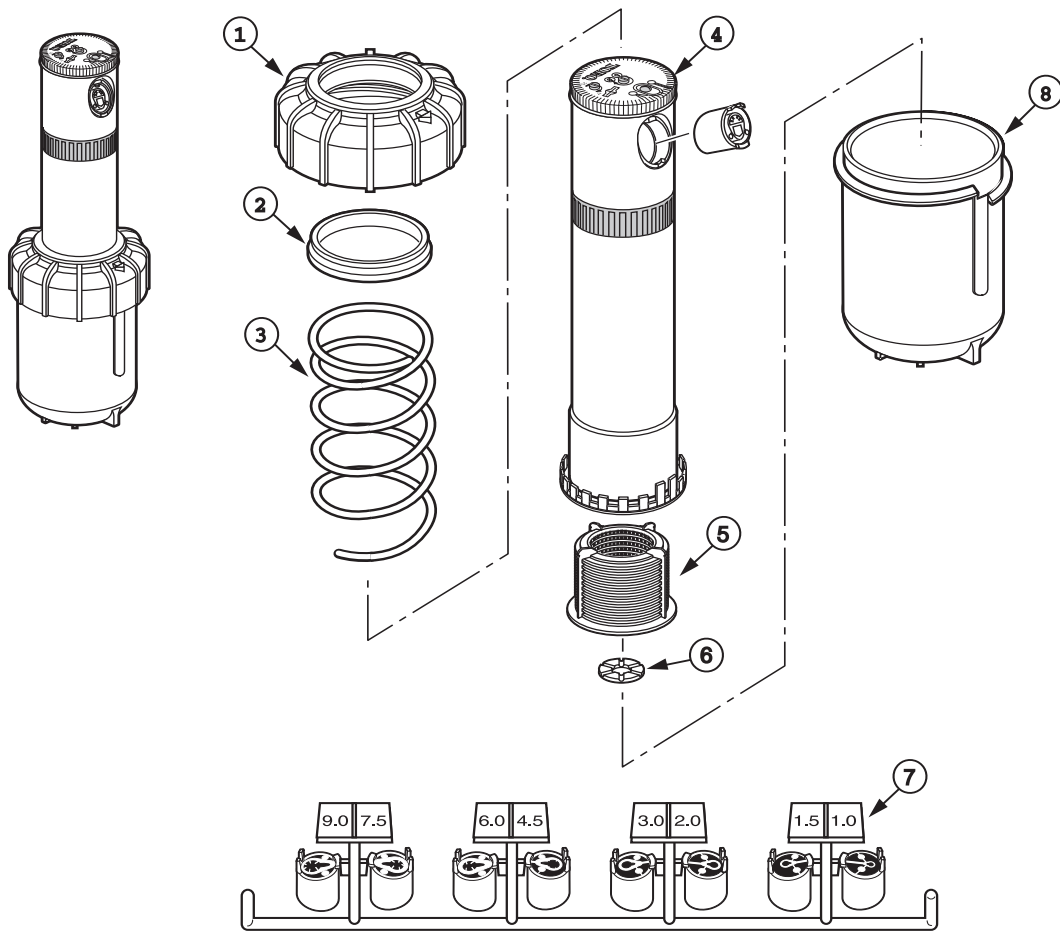
Item No.	Part No.	Description	Quantity Per Assy.
1	89-9437	Cap and Seal Assy.	1
2	89-9713	Ring, Retaining	1
3	89-9181	Spring, Retraction	1
4	89-9692	Riser Assy. (Includes Items 5, 6 and 3 GPM Nozzle)	1
5	89-9182	Screen	1
6	89-9183	Seal, Check	1
7	102-0088	Tree, Nozzle	1
8	89-9176	Body	1
	102-1303	SERVICE TOOLS Adjustment Tool	

TR50 High-Pop



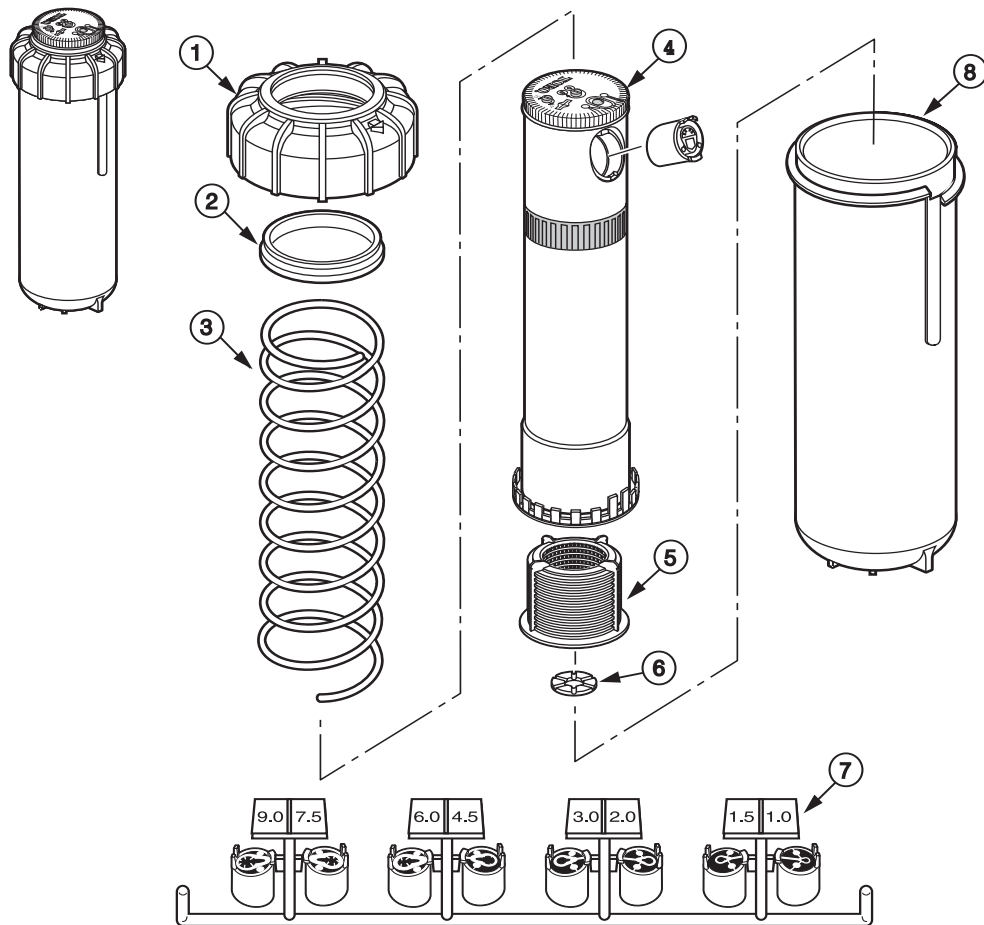
Item No.	Part No.	Description	Quantity Per Assy.
1	89-9437	Cap and Seal Assy.	1
2	89-9713	Ring, Retaining	1
3	89-9844	Spring, Retraction, 12"	1
4	102-3849	Riser Assy. (Includes Items 5, 6 and 3 GPM Nozzle)	1
5	89-9182	Screen	1
6	89-9183	Seal, Check	1
7	102-0088	Tree, Nozzle	1
8	89-9842	Body, 12"	1
9	363-3779	Plug, 3/4" NPT	1
	102-1303	SERVICE TOOLS Adjustment Tool	

TR50XT Shrub



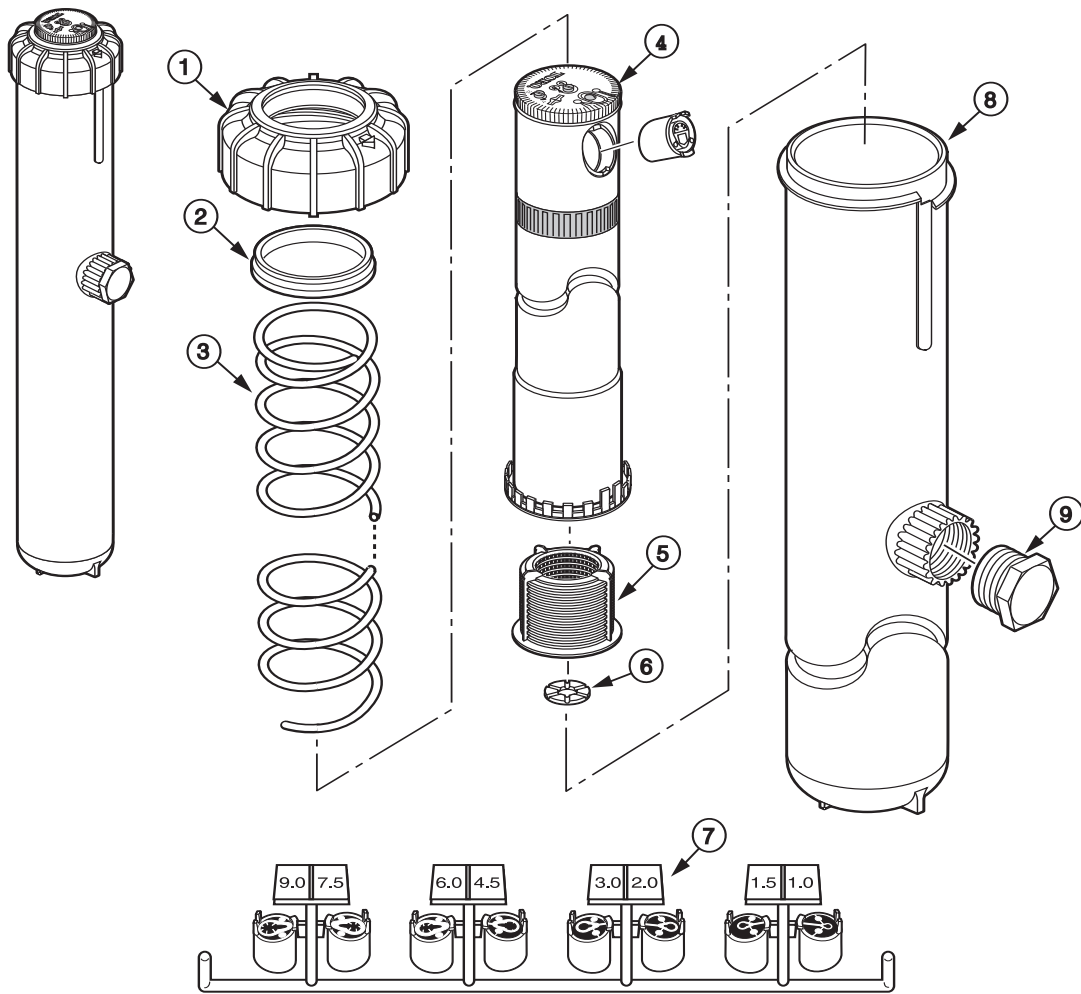
Item No.	Part No.	Description	Quantity Per Assy.
1	89-9178	Cap and Seal Assy.	1
2	89-9713	Ring, Retaining	1
3	89-9671	Spring, Shrub	1
4	89-9608	Riser Assy.	1
5	89-9182	Screen	1
6	89-9183	Seal, Check	1
7	102-1877	Tree, Nozzle	1
8	89-9670	Body, Shrub	1
		SERVICE TOOLS	
	102-1303	Adjustment Tool	
	102-3002	Riser Assy. (Includes Items 5, 6 and 3 GPM Nozzle)	

TR50XT Lawn



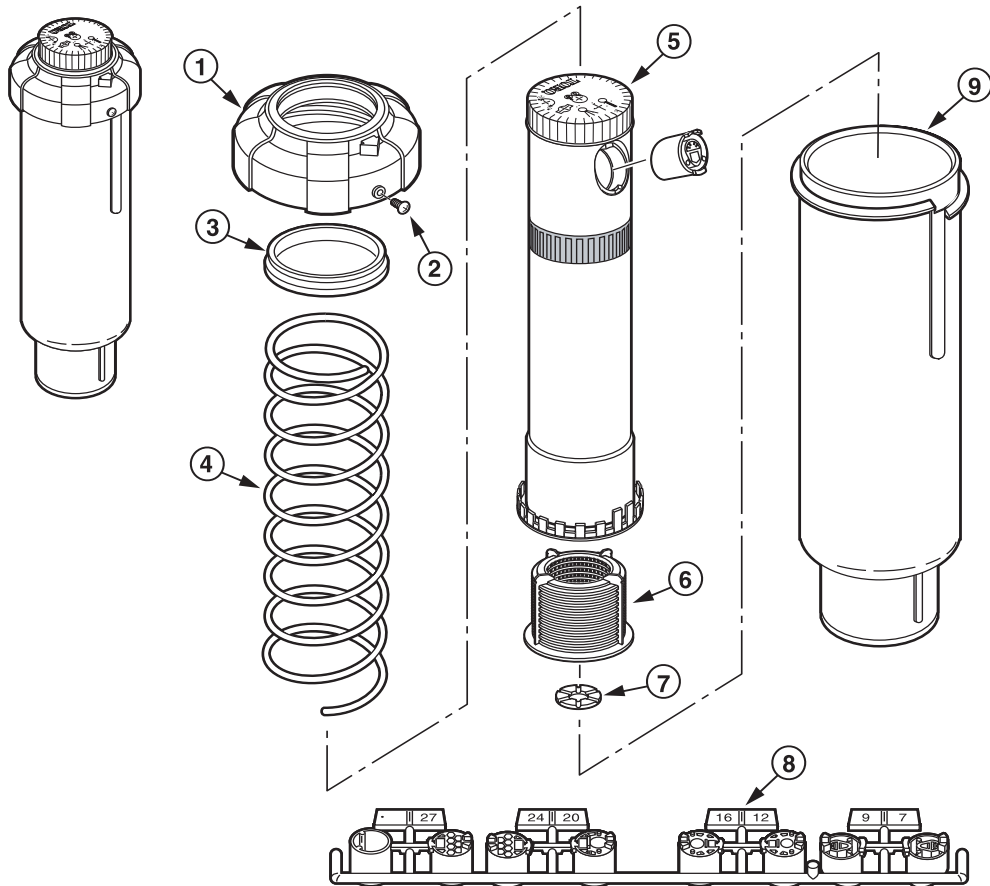
Item No.	Part No.	Description	Quantity Per Assy.
1	89-9178	Cap and Seal Assy.	1
2	89-9713	Ring, Retaining	1
3	89-9181	Spring, Retraction	1
4	102-3002	Riser Assy. (Includes Items 5, 6 and 3 GPM Nozzle)	1
5	89-9182	Screen	1
6	89-9183	Seal, Check	1
7	102-1877	Tree, Nozzle	1
8	89-9176	Body	1
	102-1303	SERVICE TOOLS Adjustment Tool	

TR50XT High-Pop



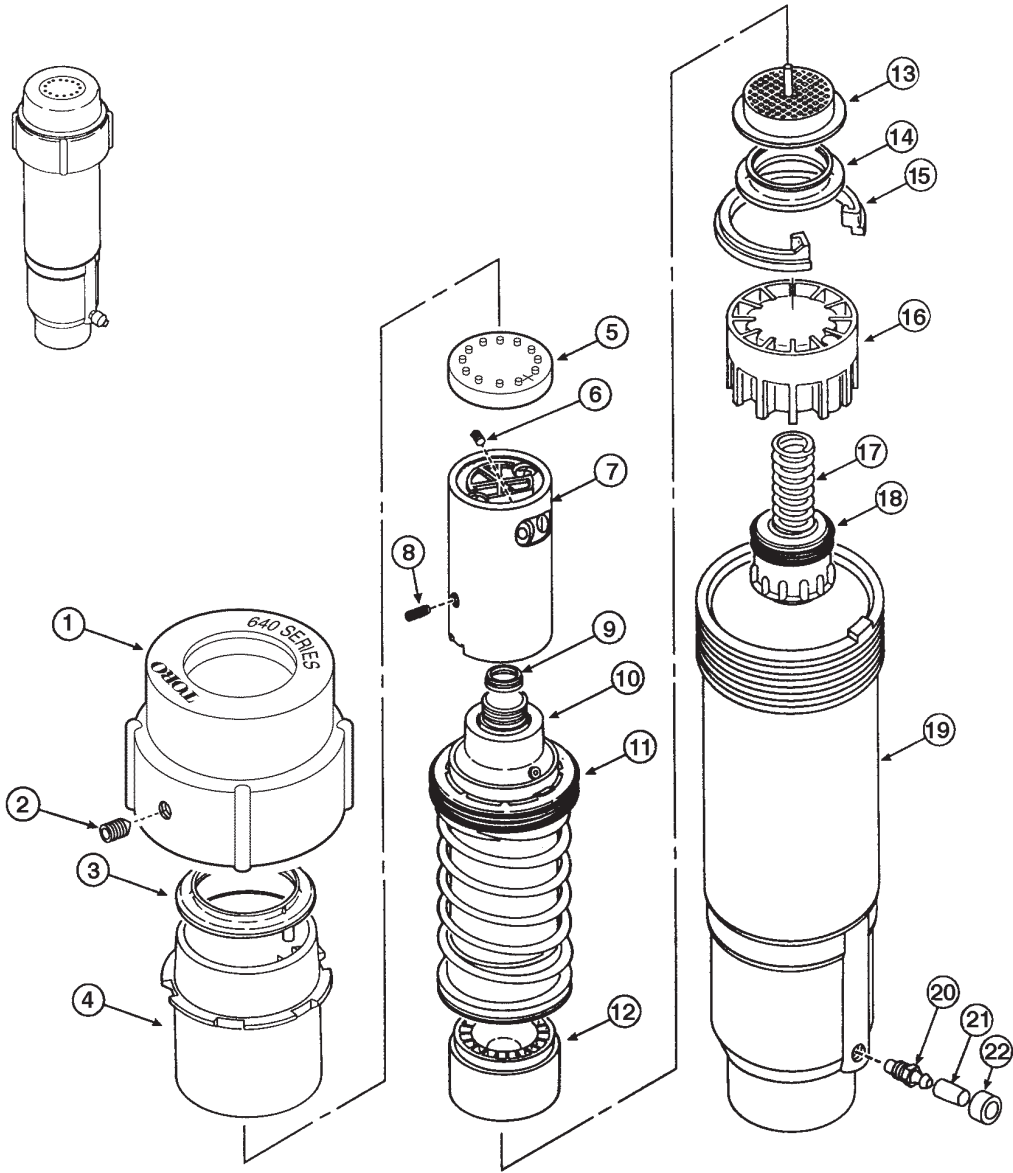
Item No.	Part No.	Description	Quantity Per Assy.
1	89-9178	Cap and Seal Assy.	1
2	89-9713	Ring, Retaining	1
3	89-9844	Spring, Retraction, 12"	1
4	102-0402	Riser Assy. (Includes Items 5, 6 and 3 GPM Nozzle)	1
5	89-9182	Screen	1
6	89-9183	Seal, Check	1
7	102-1877	Tree, Nozzle	1
8	89-9842	Body, 12"	1
9	363-3779	Plug, 3/4" NPT	1
	102-1303	SERVICE TOOLS Adjustment Tool	

TR70P & TR70XT



Item No.	Part No.	Description	Quantity Per Assy.
1	102-2629	Cap and Seal Assy.	1
2	102-2406	Set Screw, Cap	1
3	89-9713	Ring, Retaining	1
4	102-2320	Spring, Retraction	1
5	102-2676	Riser Assy., TR70XT (Includes Items 6, 7 and 12 GPM Nozzle)	1
5	102-6320	Riser Assy., TR70P (Includes Items 6, 7 and 12 GPM Nozzle)	1
6	89-9182	Screen	1
7	89-9183	Seal, Check	1
8	102-2633	Tree, Nozzle	1
9	102-3039	Body Assy., NPT Threads	1
9	102-3040	Body Assy., BSP Threads	1
	102-1303	SERVICE TOOLS Adjustment Tool	

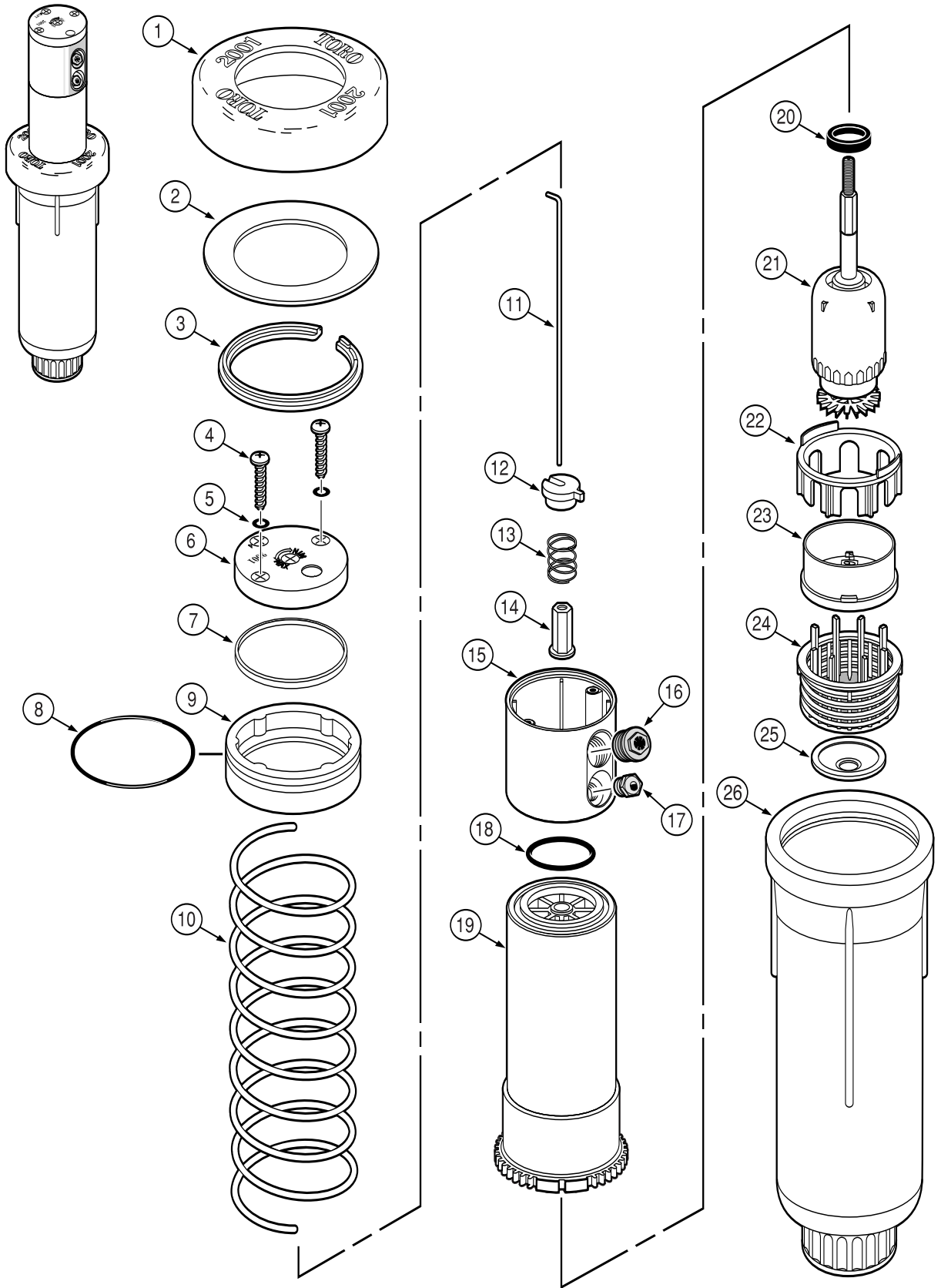
640



Item No.	Part No.	Description	Quantity Per Assy.
1	89-8999	Cap Assy., 640 Service (Includes Item 2)	1
2	2-9653	Set Screw, 1/4-20	1
3	3-3756	Seal, Nozzle Container	1
4	3-3755	Retainer	1
5	89-9000	Rubber Cover, Nozzle (For 1993 or Later Models)	1
5	89-9001	Rubber Cover, Nozzle, Effluent (For 1993 or Later Models)	1
6	360-0223	Screw, Set, Half-dog Point, 6-32 x 1/4"	1
7	-----	Nozzle Assy. (See Service Items: Nozzle/Stator Assy.)	1
8	1-7038	Screw, Half-dog Point, 6-32 x 7/16" x 0.44	1
9	35-1075	Seal, (Nozzle to Spindle)	1
10	*640-0045	Drive Assy., 640, 45°	1
10	*640-0060	Drive Assy., 640, 60°	1
10	*640-0090	Drive Assy., 640, 90°	1
10	*640-0180	Drive Assy., 640, 180°	1
10	*640-0270	Drive Assy., 640, 270°	1
10	*640-0360	Drive Assy., 640, 360°	1
10	*640-0108	Drive Assy., 640, 108°	1
10	*640-0127	Drive Assy., 640, 127°	1
10	*640-0148	Drive Assy., 640, 148°	1

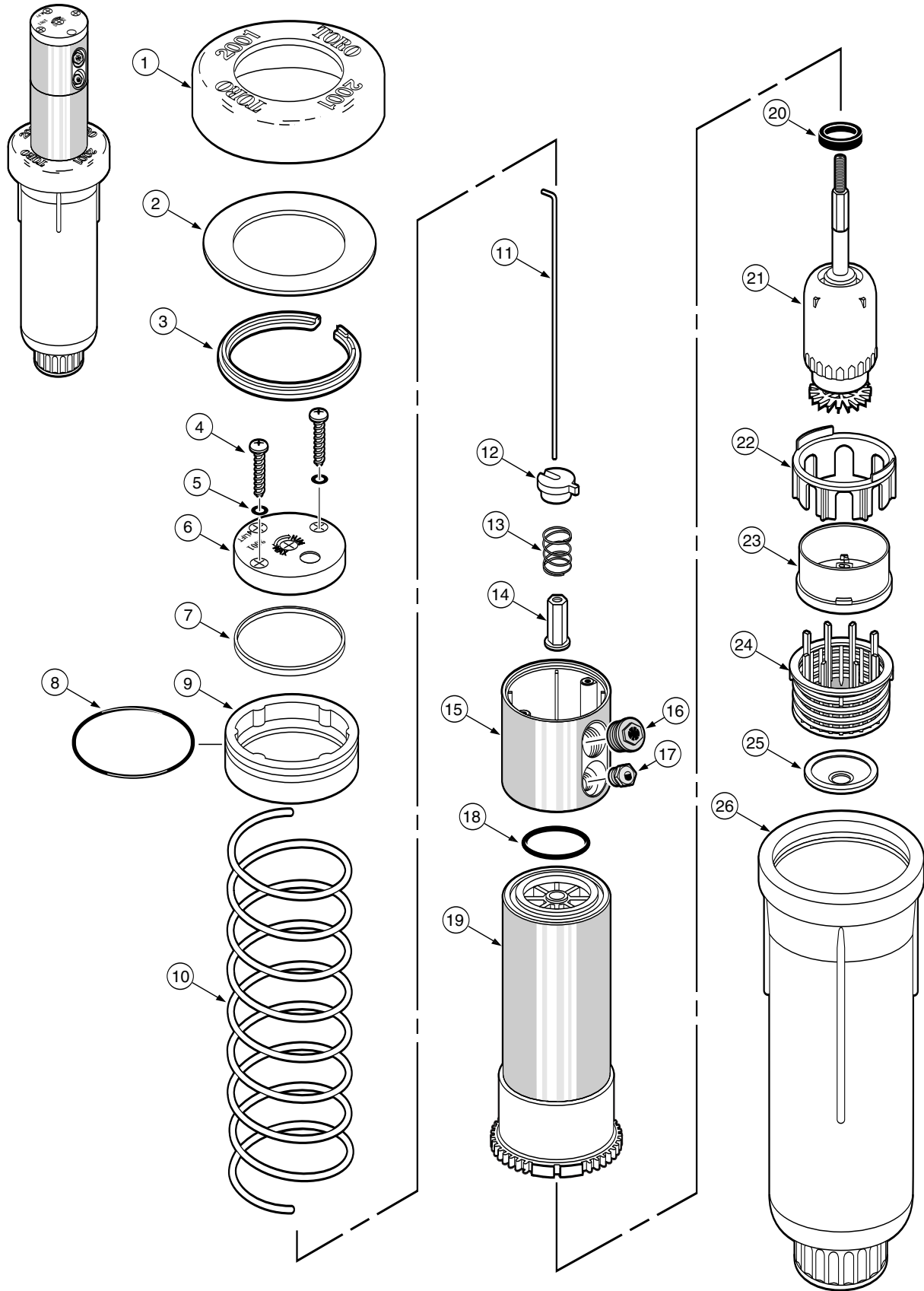
Item No.	Part No.	Description	Quantity Per Assy.
10	*640-0173	Drive Assy., 640, 173°	1
10	*640-0192	Drive Assy., 640, 192°	1
10	*640-0238	Drive Assy., 640, 238°	1
11	- - - - -	Seal Assy. (See Service Item 35-4280)	1
12	35-1529	Stator Assy., #40 (Includes Items 13 and 14)	1
12	35-1359	Stator Assy., #41 (Includes Items 13 and 14)	1
12	9-2816	Stator Assy., #42 (Includes Items 13 and 14)	1
12	9-2817	Stator Assy., #43 (Includes Items 13 and 14)	1
12	35-1701	Stator Assy., #44 (Includes Items 13 and 14)	1
13	9-2072	Screen	1
14	9-2633	Seat, COM	1
15	89-4702	Snap Ring, Valve	1
16	9-1485	Cylinder Assy., Hyd., NO	1
17	3-2633	Spring, Valve, Hyd., NO	1
18	89-8082	Piston Assy., Hyd., NO	1
19	9-2099	Body Assy., COM	1
19	35-2076	Body Assy., COM (BSP)	1
19	89-8088	Body Assy., Hyd., NO (Includes Item 20–22)	1
19	89-8089	Body Assy., Hyd., NO (BSP) (Includes Item 20–22)	1
20	9-6002	1/4" Tubing Adapter, Threaded	1
21	89-8157	Cap, Poly	1
22	*900-40	Retainer, Tube	1
		SERVICE PARTS AND ASSEMBLIES	
	89-1046	Valve Assy., 1.0" Hyd., NO, (Includes Items 16–18)	
	9-7271	1/4" Tubing Adapter, Oversize Threads	
	35-4280	Seal Assembly Replacement Kit	
	35-0579	Stator Assy., Fast, #41 (Includes Items 12–14)	
	35-1011	Stator Assy., Fast, #42/43 (Includes Items 12–14)	
	*640-40	#40 Nozzle/Stator Assy. (Includes Items 5–9 and 12–14)	
	*640-41	#41 Nozzle/Stator Assy. (Includes Items 5–9 and 12–14)	
	*640-42	#42 Nozzle/Stator Assy. (Includes Items 5–9 and 12–14)	
	*640-43	#43 Nozzle/Stator Assy. (Includes Items 5–9 and 12–14)	
	*640-44	#44 Nozzle/Stator Assy. (Includes Items 5–9 and 12–14)	
	*640-40E	#40 Nozzle/Stator Assy., Effluent (Includes Items 5–9 and 12–14)	
	*640-41E	#41 Nozzle/Stator Assy., Effluent (Includes Items 5–9 and 12–14)	
	*640-42E	#42 Nozzle/Stator Assy., Effluent (Includes Items 5–9 and 12–14)	
	*640-43E	#43 Nozzle/Stator Assy., Effluent (Includes Items 5–9 and 12–14)	
	*640-44E	#44 Nozzle/Stator Assy., Effluent (Includes Items 5–9 and 12–14)	
	*640-10	Body Package, 640, Hyd., NO (Includes Items 1–4 and 15–22)	
	*640-51	Body Package, 640, Hyd., NO, BSP (Includes Items 1–4 and 15–22)	
	*640-20	Body Package, 640, COM (Includes Items 1–4 and 19)	
	*640-52	Body Package, 640, COM, BSP (Includes Items 1–4 and 19)	
	89-9080	Rubber Cover Upgrade Kit #40 (Includes Items 1, 2 and 5–9)	
	89-9081	Rubber Cover Upgrade Kit #41 (Includes Items 1, 2 and 5–9)	
	89-9082	Rubber Cover Upgrade Kit #42 (Includes Items 1, 2 and 5–9)	
	89-9083	Rubber Cover Upgrade Kit #43 (Includes Items 1, 2 and 5–9)	
	89-9084	Rubber Cover Upgrade Kit #44 (Includes Items 1, 2 and 5–9)	
	35-3652	Container, Nozzle (Pre-1993 Models)	
	35-9113	Container, Nozzle (Without Set Screw Hole, Pre-1993 Models)	
	9-6086	Rubber Cover, Nozzle (Pre-1993 Models)	
	89-7984	Retainer, Rubber Cover	
	89-3744	Rubber Cover, Cap	
		SERVICE TOOLS	
	995-100	Snap Ring Pliers	
	995-08	Valve Removal Tool	
	995-35	Valve Insertion Tool	
	995-37	Seal Installation Tool	
	995-42	640 Canister Removal Tool	
	996-51	Cap Removal Tool	
		* Order Through Finished Goods Distribution System—Minneapolis	

2001



Item No.	Part No.	Description	Quantity Per Assy.
1	89-3883	Cap, Rubber	1
2	102-0058	Seal, Debris	1
3	89-3885	Snap Ring	1
4	363-1493	Screw, 10 x 1.0", Phpnh, 2 HLXA	2
5	360-0530	O-Ring, 0.070" x0.145" x 0.285"	2
6	89-3944	Nozzle Top Assy., PC	1
6	89-7295	Nozzle Top Assy., FC	1
6	89-6734	Nozzle Top Assy., PC, Effluent	1
6	89-7296	Nozzle Top Assy., FC, Effluent	1
7	89-4887	Nozzle Base Retainer	1
8	363-3690	O-Ring, 0.103" x 2.237" x 2.443"	1
9	- - - - -	O-Ring Retainer (See Service Item 89-9913)	1
10	89-9399	Spring	1
11	89-3869	Shaft (PC Pin)	1
12	89-4890	Arm, Clutch (PC Models Only)	1
13	89-5887	Spring, Clutch (PC Models Only)	1
14	89-3928	Nut, Nozzle Base	1
15	89-3872	Base, Nozzle	1
16	89-4765	Nozzle, Main, 6.0, Yellow	1
16	89-4766	Nozzle, Main, 9.0, Orange	1
16	89-4767	Nozzle, Main, 12.0, Brown	1
16	89-8449	Nozzle, Main, 15.0, Gray	1
16	89-4768	Nozzle, Main, 18.0, Blue	1
16	89-4769	Nozzle, Main, 24.0, Green	1
17	89-8283	Nozzle, Lower, Small (White)	1
17	89-8660	Nozzle, Lower, Large (Red)	1
18	363-4096	O-Ring, #121, 0.103" x 1.049" x 1.255" (Yellow)	1
19	89-9398	Riser	1
20	89-5904	Brake	1
21	89-8036	Gear Drive Assy., 2001 (Includes Item 19)	1
22	89-7374	Holder, Stator	1
23	- - - - -	Stator (See Service Item 89-8202)	1
24	89-3929	Screen	1
25	35-2245	Check Valve	1
26	89-7393	Body Assy., BSP	1
26	89-7392	Body Assy., NPT	1
		SERVICE ITEMS	
	89-8202	Stator Assy., 2001 (Includes Item 21 & 22)	
	89-3935	COM Assy., 2001 (Includes Items 23 and 24)	
	89-9913	O-Ring Retainer Assy., SVC (Includes Items 7 & 8)	
	89-3943	Ring, Seal Support (Pre-4/99)	
	89-7577	Seal, Riser (Pre-4/99)	
	89-6602	Spring Retainer (Pre-4/99)	
	89-3927	Spring (Pre-4/99)	
	89-8451	Cover, Vandal Resistant	
	102-0365	Tree, Nozzle, Colored	
		SERVICE TOOLS	
	89-4717	Adjustment Tool	
	995-83	Multi-purpose Tool	

S2001



Item No.	Part No.	Description	Quantity Per Assy.
1	89-3883	Cap, Rubber	1
2	102-0058	Seal, Debris	1
3	89-3885	Snap Ring	1
4	363-1493	Screw, #10 x 1.0" Phphn, 2 HLXA	2
5	360-0530	O-Ring, 0.070" x 0.145" x 0.285"	2
6	89-3944	Nozzle Top Assy., PC	1
6	89-7295	Nozzle Top Assy., FC	1
6	89-6734	Nozzle Top Assy., PC, Effluent	1
6	89-7296	Nozzle Top Assy., FC, Effluent	1
7	89-4887	Nozzle Base Retainer	1
8	363-3690	O-Ring, 0.103" x 2.237" x 2.443"	1
9	-----	O-Ring Retainer (See Service Item 89-9914)	1
10	89-9399	Spring	1
11	89-3869	Shaft (PC Only)	1
12	89-4890	Arm, Clutch (PC Only)	1
13	89-5887	Spring, Clutch (PC Only)	1
14	89-3928	Nut, Nozzle Base	1
15	89-9870	Nozzle Base Assy.	1
16	89-4765	Nozzle, Main, 6.0, Yellow	1
16	89-4766	Nozzle, Main, 9.0, Orange	1
16	89-4767	Nozzle, Main, 12.0, Brown	1
16	89-8449	Nozzle, Main, 15.0, Gray	1
16	89-4768	Nozzle, Main, 18.0, Blue	1
16	89-4769	Nozzle, Main, 24.0, Green	1
17	89-8283	Nozzle, Lower, Small (White)	1
17	89-8660	Nozzle, Lower, Large (Red)	1
18	363-4096	O-Ring, #121, 0.103" x 1.049" x 1.255" (Yellow)	1
19	89-9427	Riser Assy.	1
20	89-5904	Brake	1
21	89-8036	Gear Drive Assy., 2001 (Includes Item 19)	1
22	89-7374	Holder, Stator	1
23	-----	Stator (See Service Item 89-8202)	1
24	89-3929	Screen	1
25	35-2245	Check Valve	1
26	89-7393	Body Assy., BSP	1
26	89-7392	Body Assy., NPT	1
		SERVICE ITEMS	
	89-8202	Stator Assy., 2001 (Includes Item 21 & 22)	
	89-3935	COM Assy., 2001 (Includes Items 23 & 24)	
	89-9914	O-Ring Retainer Assy., SVC (Includes Items 7 & 8)	
	89-3943	Ring, Seal Support (Pre-4/99)	
	89-7577	Seal, Riser (Pre-4/99)	
	89-6602	Spring Retainer (Pre-4/99)	
	89-3927	Spring (Pre-4/99)	
	89-8451	Cover, Vandal Resistant	
	102-0365	Nozzle Tree, Colored	
		SERVICE TOOLS	
	89-4717	Adjustment Tool	
	995-83	Multi-purpose Tool	

