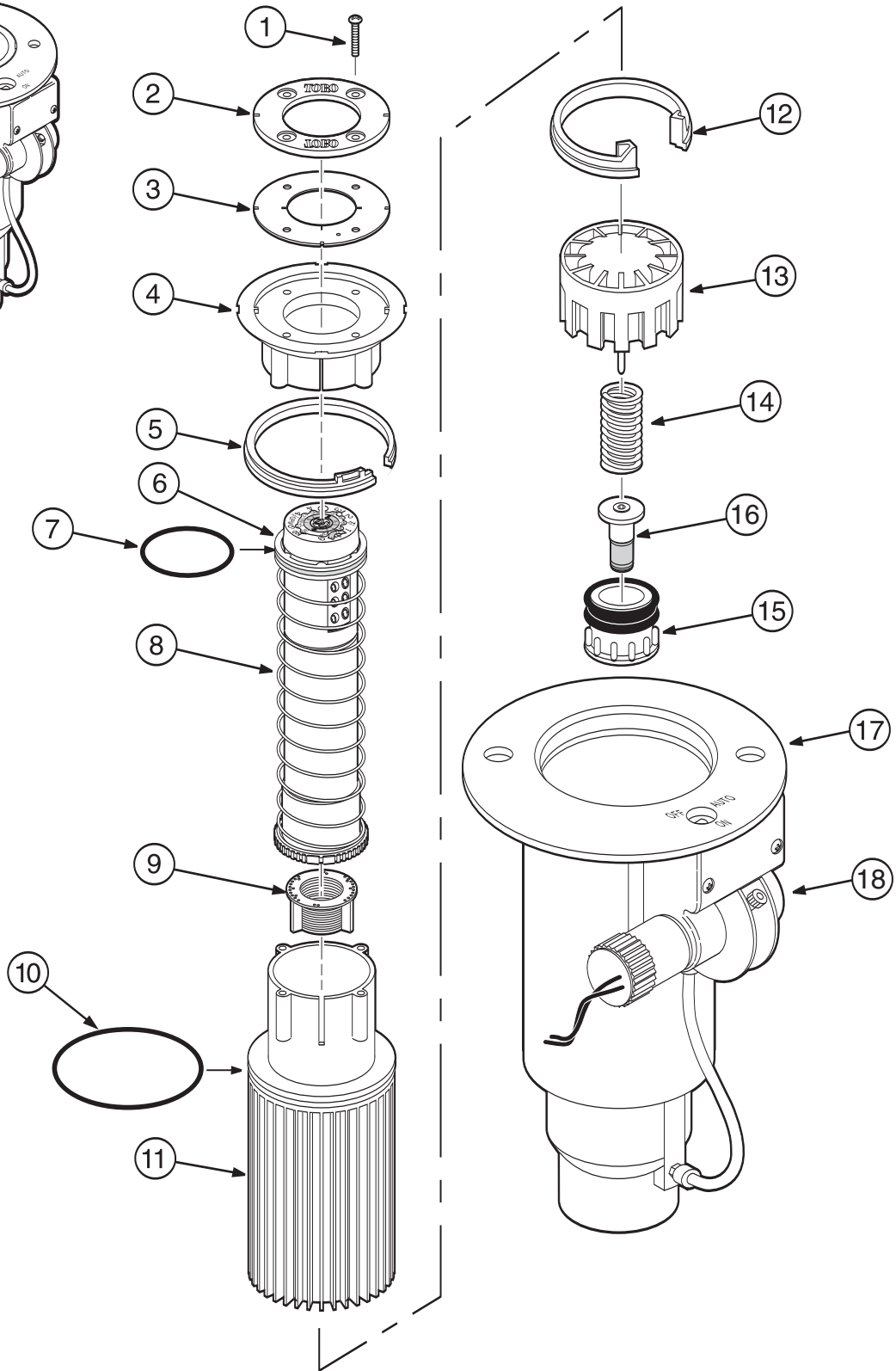
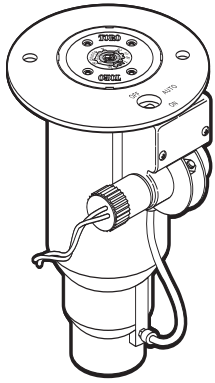


**LARGE TURF
SPRINKLERS**

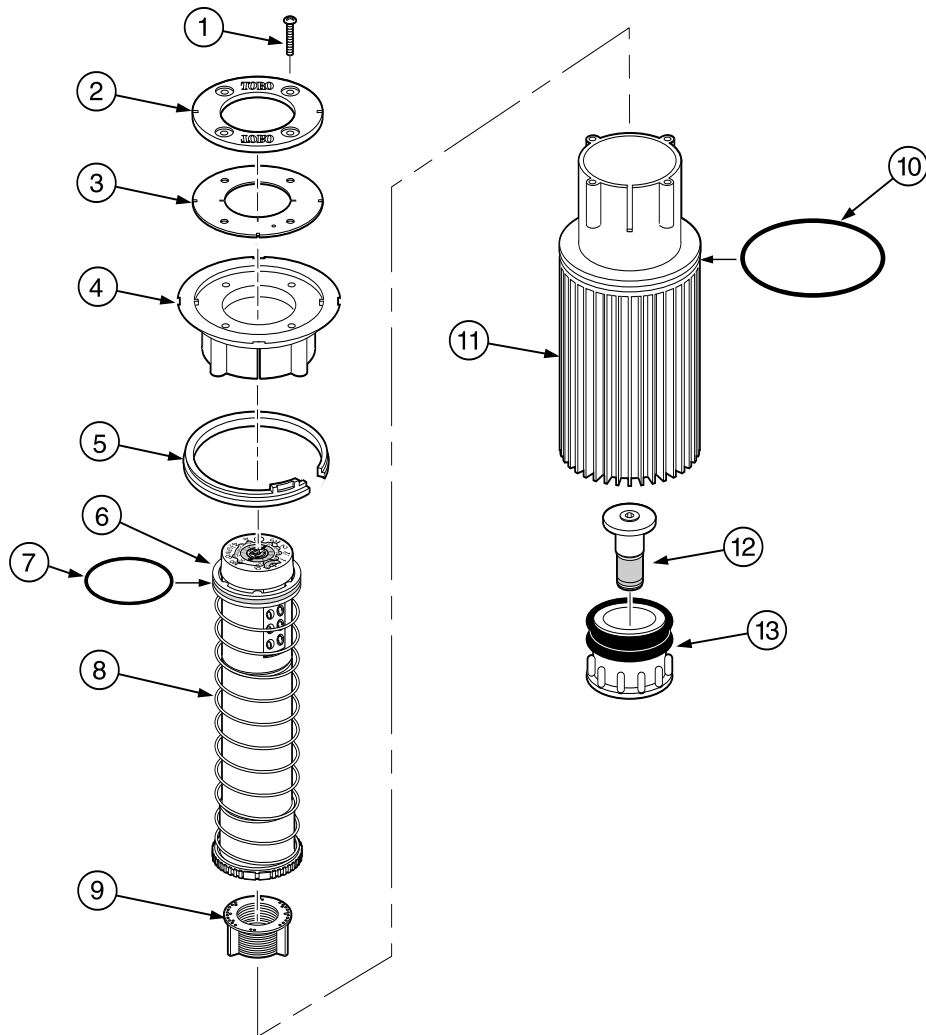
**LARGE TURF
SPRINKLERS**

720 Series



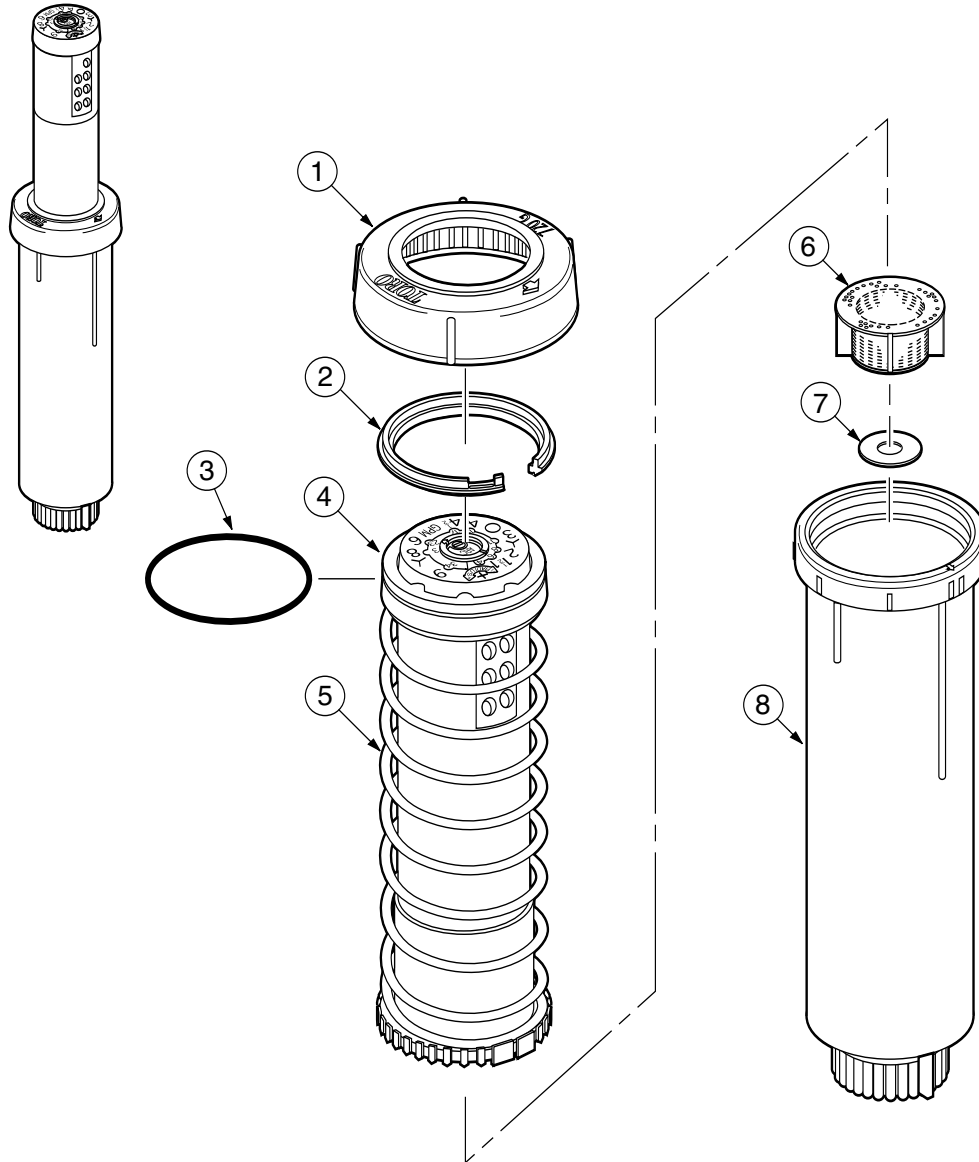
Item No.	Part No.	Description	Quantity Per Assy.
1	363-3864	Screw, #8-32 x 1"	4
2	102-0257	Retainer, Debris Seal	1
2	102-0258	Retainer, Debris Seal, Effluent	1
3	102-5385	Seal, Debris	1
4	89-9446	Support, Riser	1
5	89-1385	Snap Ring	1
6	102-0255	Retainer, O-Ring, 720	1
7	363-4195	O-Ring, 0.070" x 1.864" x 2.004" Buna	1
8	89-9725	Riser Assembly, PC (Includes Items 6–9)	1
8	89-9726	Riser Assembly, FC (Includes Items 6–9)	1
9	89-9428	Screen	1
10	363-4102	O-Ring, Paraffin AS-568 232	1
11	89-9443	Sleeve, Riser	1
12	89-4702	Snap Ring, Valve	1
13	9-1487	Cylinder Assy., EL	1
14	3-2633	Spring, NO, EL	1
15	102-0081	Piston Assy., EL, Low Flow (Includes Item 16)	1
16	35-9646	Filter Assy., Metering, EL, NC	1
17	-----	Body Assy. (See p. 74)	1
18	-----	Pilot Valve Assy. (See p. 80)	1
		SERVICE ITEMS	
	102-0082	Valve Assy., EL, Low Flow, (Includes Items 13–15)	
	*102-0108	Conversion Assy., 720 PC, Ribbed Body, (Includes Items 1–11, 15 & 16)	
	*102-0110	Conversion Assy., 720 PC, Ribbed Body, Effluent, (Includes Items 1–11, 15 & 16)	
	*102-0112	Conversion Assy., 720 FC, Ribbed Body, (Includes Items 1–11, 15 & 16)	
	*102-0114	Conversion Assy., 720 FC, Ribbed Body, Effluent, ((Includes Items 1–11, 15 & 16)	
		SERVICE TOOLS	
	995-15	Selector Tool (Flag Tool)	
	995-100	Valve Snap Ring Pliers with Screen Remover	
	995-08	Valve Removal Tool	
	995-76	Valve Installation Tool	
	995-83	Multi-purpose Tool	
	89-7350	Adjustment Key	
		* Order Through Finished Goods Distribution System—Minneapolis	

720 Series Conversion Assembly



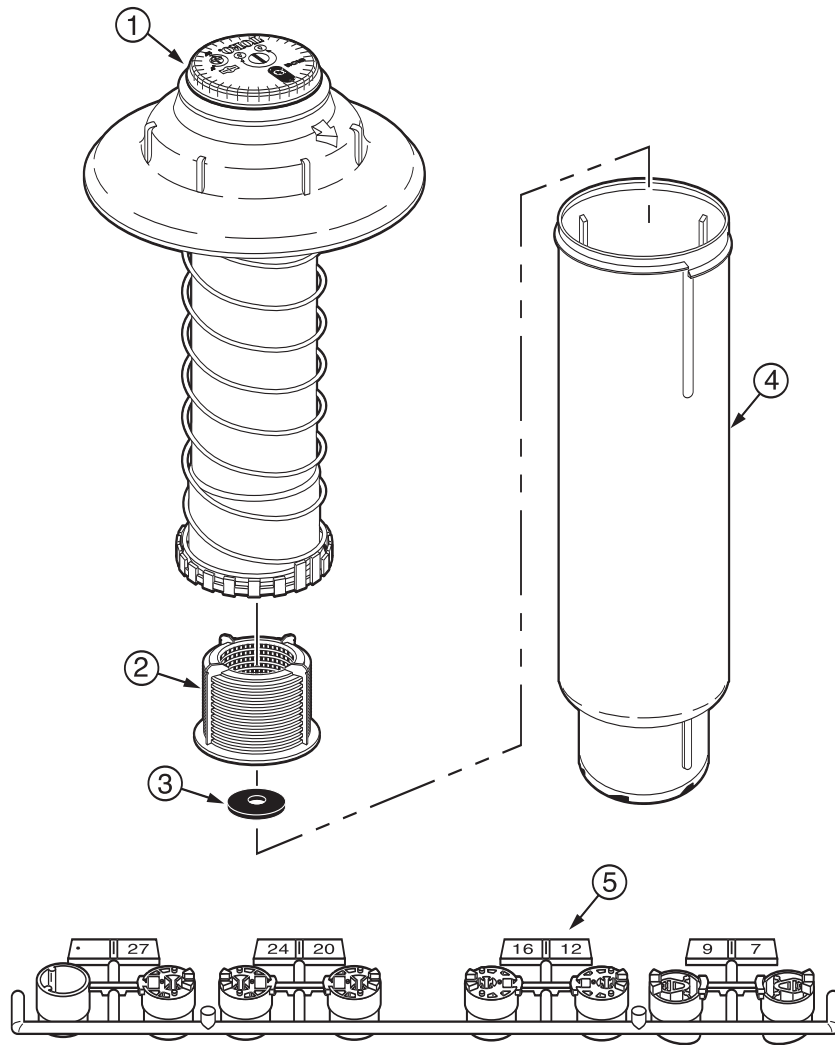
Item No.	Part No.	Description	Quantity Per Assy.
	*102-0108	Conversion Assy., 720 PC, Ribbed Body, (Includes Items 1–13)	
	*102-0110	Conversion Assy., 720 PC, Ribbed Body, Effluent, (Includes Items 1–13)	
	*102-0112	Conversion Assy., 720 FC, Ribbed Body, (Includes Items 1–13)	
	*102-0114	Conversion Assy., 720 FC, Ribbed Body, Effluent, (Includes Items 1–13)	
1	363-3864	Screw, #8-32 x 1"	4
2	102-0257	Retainer, Debris Seal	1
2	102-0258	Retainer, Debris Seal, Effluent	1
3	102-5385	Seal, Debris	1
4	89-9446	Support, Riser, Ribbed Body	1
5	89-1385	Snap Ring	1
6	102-0255	Retainer, O-Ring, 720	1
7	363-4195	O-Ring, 0.070" x 1.739" x 1.879" Buna	1
8	89-9725	Riser Assembly, Part-circle (Includes Items 6–9)	1
8	89-9726	Riser Assembly, Full-circle (Includes Items 6–9)	1
9	89-9428	Screen	1
10	363-4102	O-Ring, Paraffin AS-568 232	1
11	89-9443	Sleeve, Riser	1
12	35-9646	Filter Assy., Metering, EL, NC	1
13	102-0081	Piston Assy., EL, Low Flow (Includes Item 12)	1
* Order Through Finished Goods Distribution System—Minneapolis			

720G Series



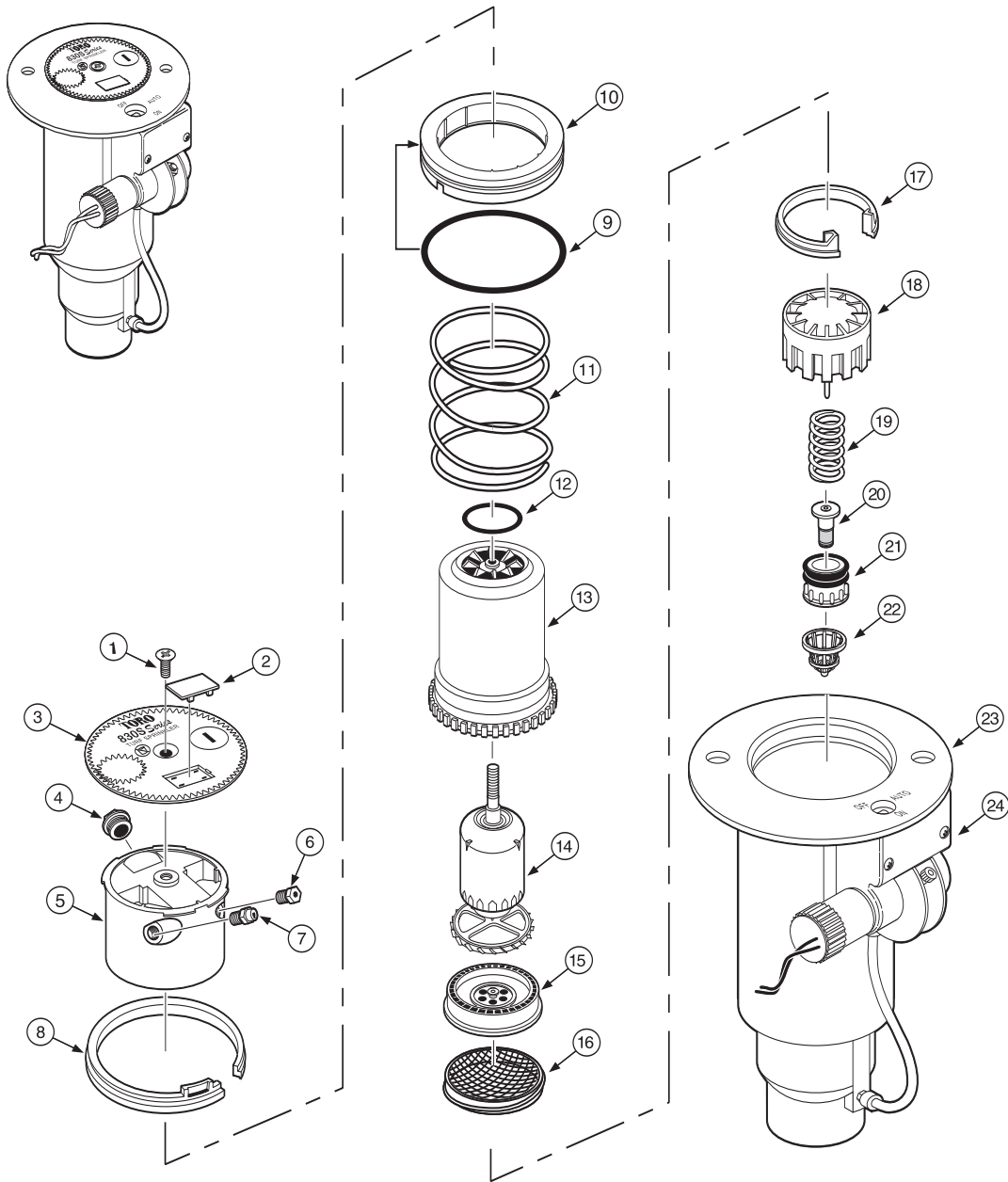
Item No.	Part No.	Description	Quantity Per Assy.
1	102-2277	Cover, Rubber Body	1
1	102-2278	Cover, Rubber Body, Effluent	1
2	89-8657	Snap Ring	1
3	363-4195	O-Ring	1
4	-----	Retainer w/Seal, (See Service Item 102-2247)	1
5	*725G	Riser Assembly (Adjustable Part Circle)	1
5	*724G	Riser Assembly (Full-Circle)	1
5	*725GE	Riser Assembly (Adjustable Part-Circle, Effluent)	1
5	*724GE	Riser Assembly (Full-Circle, Effluent)	1
6	89-9428	Screen	1
7	89-7561	Seal, Check	1
8	89-8658	Body	1
		SERVICE ITEMS	
	102-2247	Retainer w/Seal Assembly (Includes Items 3 and 4)	
		SERVICE TOOLS	
	995-83	Multi-purpose Tool	
	89-7350	Adjustment Key	
		* Order Through Finished Goods Distribution System—Minneapolis	

810G



Item No.	Part No.	Description	Quantity
1	* - - - -	Cap and Riser Assy.	1
2	89-9182	Screen	1
3	89-9183	Seal, Check	1
4	102-3039	Body Assy., NPT Threads	1
4	102-3040	Body Assy., BSP Threads	1
4	102-3041	Body Assy., ACME Threads	1
5	102-2633	Tree, Nozzle	1
		* See Finished Goods Price List for Order Information.	
	102-1303	SERVICE TOOLS Adjustment Tool	

834S Series Sprinkler



Model Number Information

834S-XX-3XX-E

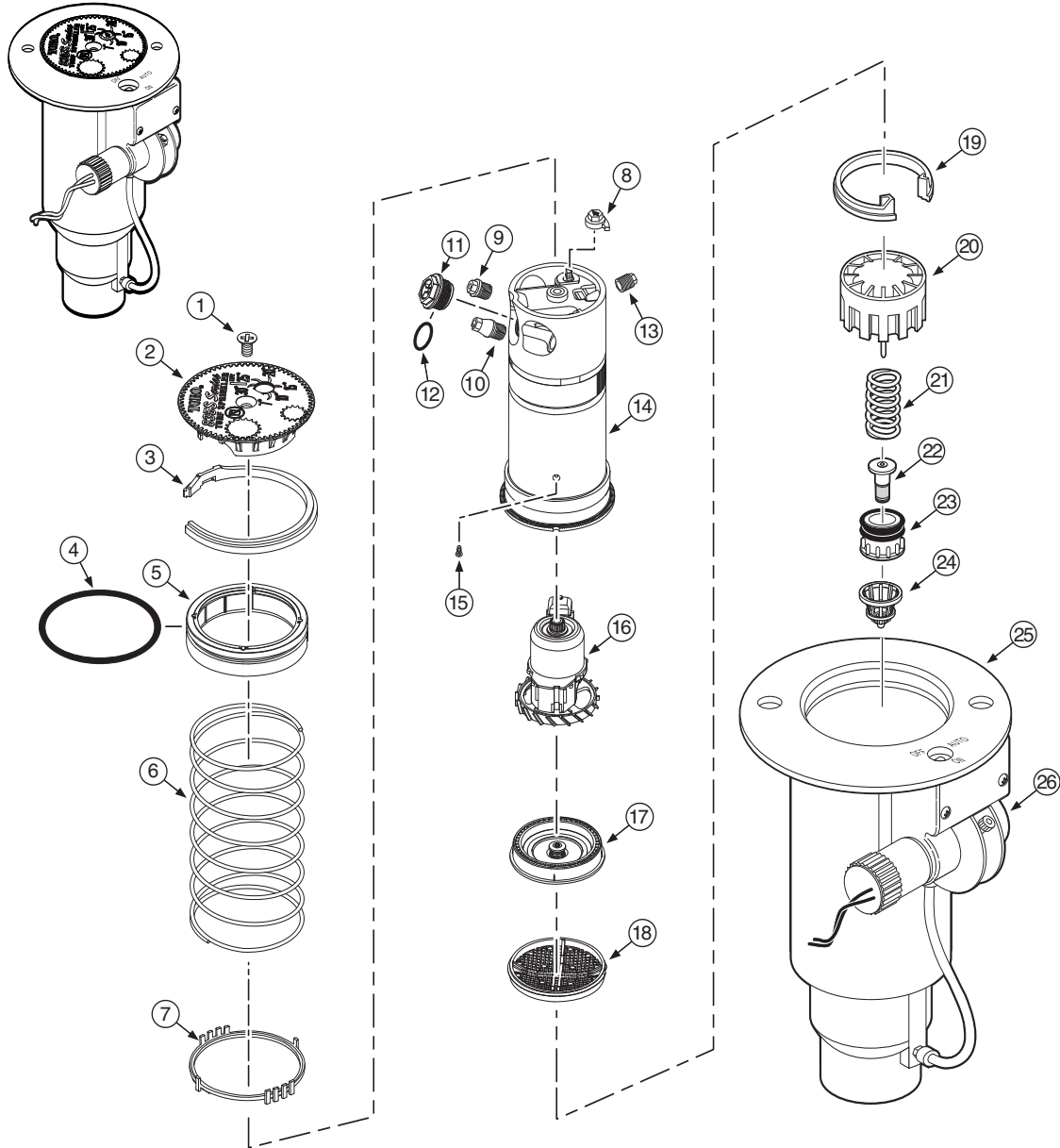
Arc	Body Threads	Valve	Nozzle	Pressure Regulation*	Effluent
4 = Full-circle	0 = NPT 4 = ACME 5 = BSP	1 = NO Valve-In-Head 2 = Check-O-Matic 6 = Electric Valve-In-Head	1 (Yellow) 2 (Blue) 3 (Brown) 4 (Orange) 5 (Green) 6 (Gray) 7 (Black)	6 = 65 PSI 8 = 80 PSI 1 = 100 PS	

* Pressure Regulation available on Electric VIH models only.

Note: For detailed model number availability and ordering information, refer to the Golf Finished Goods Price List (form no. 490-2844).

Item No.	Part No.	Description	Quantity Per Assy.
1	102-0362	Screw, Cap	1
2	89-1589	Plug, Cap	1
3	102-0230	Cap, 834S	1
3	102-1703	Cap, 834S, Effluent	1
4	102-0725	Nozzle, Main, #1 (Yellow)	1
4	102-0726	Nozzle, Main, #2 (Blue)	1
4	102-0727	Nozzle, Main, #3 (Brown)	1
4	102-0728	Nozzle, Main, #4 (Orange)	1
4	102-0729	Nozzle, Main, #5 (Green)	1
4	102-0730	Nozzle, Main, #6 (Gray)	1
4	102-4261	Nozzle, Main, #7 (Black)	1
5	102-0955	Nozzle Base Assembly	1
6	102-2105	Nozzle Assy. Intermediate, Blue (Used with #1 Yellow & #2 Blue Main Nozzles)	1
6	102-2106	Nozzle Assy. Intermediate, Orange (Used w/#3 Brown & #4 Orange Main Nozzles)	1
6	102-2107	Nozzle Assy. Intermediate, Gray (Used with #5 Green & #6 Gray Main Nozzles)	1
6	102-2981	Nozzle Assy. Intermediate, Red (Used with #7 Black Main Nozzle)	1
7	102-2980	Nozzle Assy. Inner, Red (with Restrictor)	1
8	89-1385	Snap Ring, Riser	1
9	363-4102	O-Ring, Body	1
10	102-0134	Retainer, Seal	1
11	102-0151	Spring, Return	1
12	363-4167	O-Ring, Nozzle Base	1
13	102-0202	Riser	1
14	102-4503	Drive Assembly, 12-Pack	1
15	102-1939	Stator Assembly, Low Flow, Yellow (Used with #1–#4 Main Nozzles)	1
15	102-1940	Stator Assembly, Medium Flow, White (Used with #5–#7 Main Nozzles)	1
16	102-1715	Screen, Riser	1
17	89-4702	Snap Ring, Valve	1
18	102-0623	Cylinder Assembly	1
19	3-2633	Spring, Valve, EL & NO	1
19	89-5821	Spring, Valve, COM	1
20	35-9646	Filter Assembly, Metering, EL & NO	1
21	89-1054	Piston Assembly, EL (Includes Item 21)	1
21	102-1864	Piston Assembly, COM & NO	1
22	102-0784	Screen, Rock, Removable	1
23	102-1094	Body Assembly, EL, ACME	1
23	102-1092	Body Assembly, EL, BSP	1
23	102-1090	Body Assembly, EL, NPT	1
23	102-1082	Body Assembly, COM, ACME	1
23	102-1080	Body Assembly, COM, BSP	1
23	102-1078	Body Assembly, COM, NPT	1
23	102-1088	Body Assembly, NO, ACME	1
23	102-1086	Body Assembly, NO, BSP	1
23	102-1084	Body Assembly, NO, NPT	1
24	-----	Pilot Valve Assembly (See p. 79)	1
		SERVICE ITEMS	
	102-2208	Nozzle, Main, Blank	
	102-0840	Nozzle, Inner/ Intermediate, Blank, Red	
	102-2041	Restrictor, Yellow, Inner Nozzle	
	102-2070	Stream Straightener, Intermediate Nozzle	
	102-0624	Valve Assembly, EL (Includes Items 18–21)	
	102-1118	Valve Assembly, COM (Includes Items 18–20)	
	102-1120	Valve Assembly, NO (Includes Items 18–20)	
	102-2502	Cap, 834S, w/o Graphics	
	102-2503	Cap, 834S, w/o Graphics, Effluent	
	*102-2530	Conversion Assembly, 834S, 31–34 (Number 3 Nozzle Installed)	
	*102-2531	Conversion Assembly, 834S, 35–37 (Number 5 Nozzle Installed)	
		SERVICE TOOLS	
	995-08	Valve Removal Tool	
	995-15	Selector Tool (Flag Key)	
	995-76	Valve Insertion Tool	
	995-79	Nut Driver, 7/16" (For Inner Nozzle)	
	995-83	Multi-purpose Tool	
	995-85	Riser Removal Tool	
	995-99	Nut Driver, 5/8" (For Main Nozzle)	
	995-100	Valve Snap Ring Pliers with Screen Remover	
	995-102	Riser Hold-up Tool, Universal	
		* Order Through Finished Goods Distribution System—Minneapolis	

835S Series Sprinkler



Model Number Information

835S-XX-3XX-E

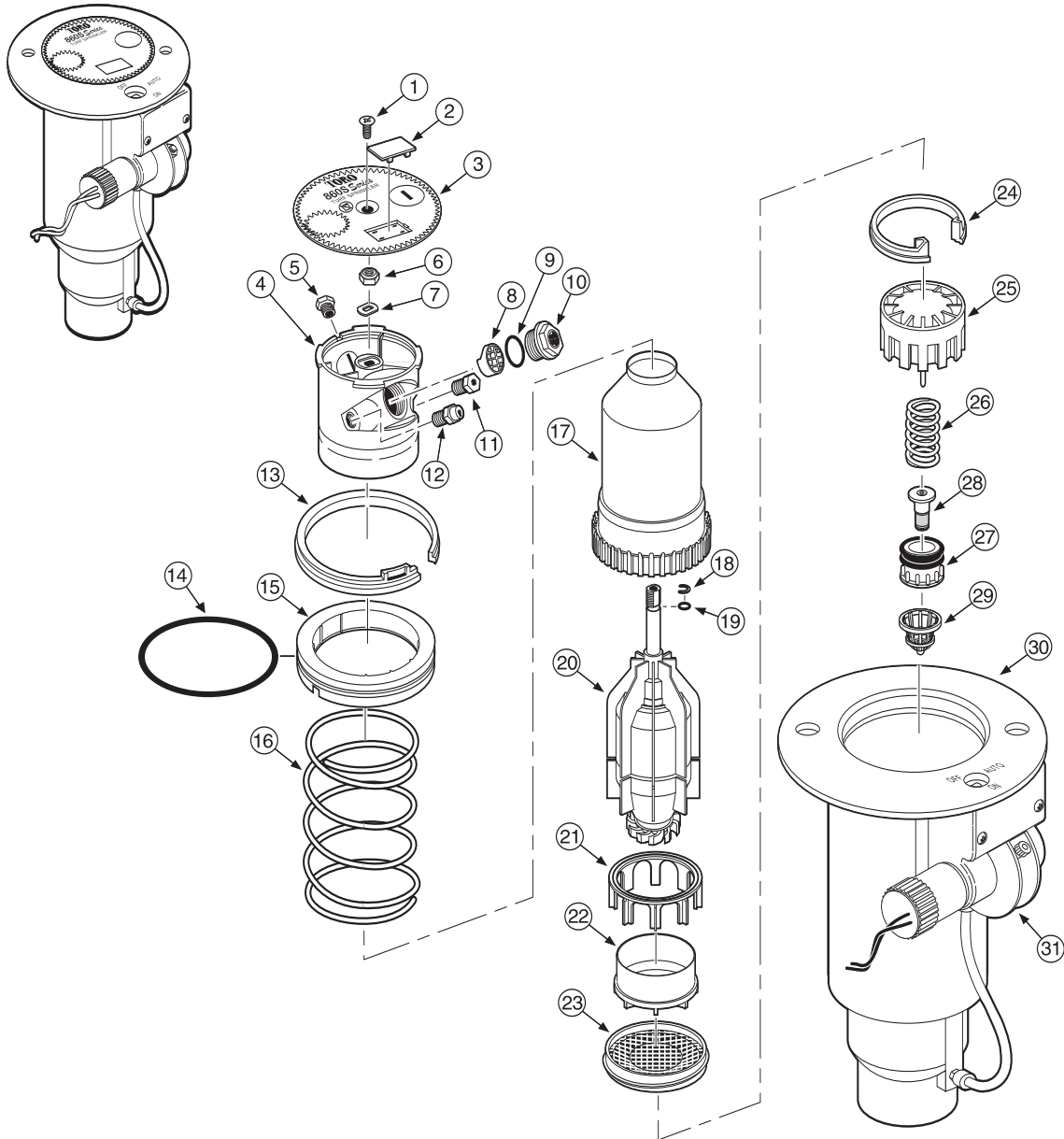
Arc	Body Threads	Valve	Nozzle	Pressure Regulation*	Effluent
5 = Adj. Part Circle/Full Circle	0 = NPT 4 = ACME 5 = BSP	1 = NO Valve-In-Head 2 = Check-O-Matic 6 = Electric Valve-In-Head	1 (Yellow) 2 (Blue) 3 (Brown) 4 (Orange) 5 (Green) 6 (Gray) 7 (Black)	5 = 50 PSI 6 = 65 PSI 8 = 80 PSI 1 = 100 PS	

Note: For detailed model number availability and ordering information, refer to the Golf Finished Goods Price List (form no. 490-2844).

* Pressure Regulation available on Electric VIH models only.

Item No.	Part No.	Description	Quantity Per Assy.
1	102-0362	Screw, Cap	1
2	102-2295	Cap, 835S	1
2	102-2493	Cap, Effluent, 835S	1
3	89-1385	Snap Ring, 1"	1
4	363-4102	O-Ring, 1"	1
5	102-0134	Retainer Seal, 1"	1
6	102-0151	Spring	1
7	102-2619	Ratchet Ring, 1"	1
8	102-5973	Trajectory Adjuster	1
9	102-2925	Intermediate Nozzle, Blue (Use with #1, #5 & #6 Main Nozzles)	1
9	102-2926	Intermediate Nozzle, Orange (Use with #3, #4 & #7 Main Nozzles)	1
9	102-2928	Intermediate Nozzle, Red (Use with #2 Main Nozzle)	1
10	102-2910	Nozzle Assy., Inner	1
11	102-4587	Nozzle, Main, #1, Yellow	1
11	102-4588	Nozzle, Main, #2, Blue	1
11	102-4589	Nozzle, Main, #3, Brown	1
11	102-0728	Nozzle, Main, #4, Orange	1
11	102-0729	Nozzle, Main, #5, Green	1
11	102-0730	Nozzle, Main, #6, Gray	1
11	102-4261	Nozzle, Main, #7, Black	1
12	363-4104	O-Ring, Main Nozzle	1
13	102-4335	Plug, Nozzle, Back	1
14	102-2892	Riser Assy.	1
15	363-4236	Screw, Drive	1
16	102-24504	Drive Assy., 12-Pack	1
17	102-1939	Stator, Low (Use with Main Nozzles 1–4)	1
17	102-1940	Stator, Medium (Use with Main Nozzles 5–7)	1
18	102-1715	Screen	1
19	89-4702	Snap Ring, Valve	1
20	102-0623	Cylinder Assembly	1
21	3-2633	Spring, Valve, EL & NO	1
21	89-5821	Spring, Valve, COM	1
22	35-9646	Filter Assembly, Metering, EL & NO	1
23	89-1054	Piston Assembly, EL (Includes Item 22)	1
23	102-1864	Piston Assembly, COM & NO	1
24	102-0784	Screen, Rock, Removable	1
25	102-1094	Body Assembly, EL, ACME	1
25	102-1092	Body Assembly, EL, BSP	1
25	102-1090	Body Assembly, EL, NPT	1
25	102-1082	Body Assembly, COM, ACME	1
25	102-1080	Body Assembly, COM, BSP	1
25	102-1078	Body Assembly, COM, NPT	1
25	102-1088	Body Assembly, NO, ACME	1
25	102-1086	Body Assembly, NO, BSP	1
25	102-1084	Body Assembly, NO, NPT	1
26	-----	Pilot Valve Assembly (See p. 79)	1
		SERVICE ITEMS	
	102-2208	Nozzle, Main, Blank	
	102-0840	Nozzle, Inner/Intermediate, Blank, Red	
	102-2041	Restrictor, Yellow, Inner Nozzle	
	102-2070	Stream Straightener, Intermediate Nozzle	
	102-0624	Valve Assembly, EL (Includes Items 18–21)	
	102-1118	Valve Assembly, COM (Includes Items 18–20)	
	102-1120	Valve Assembly, NO (Includes Items 18–20)	
	102-2494	Cap, Blank, 835S	
	102-2495	Cap, Blank, Effluent, 835S	
	102-5391	Conversion Assy., 835S 31–34	
	102-5392	Conversion Assy., 835S 35–37	
		SERVICE TOOLS	
	995-08	Valve Removal Tool	
	995-15	Selector Tool (Flag Key)	
	995-76	Valve Insertion Tool	
	995-79	Nut Driver, 7/16" (For Inner Nozzle)	
	995-83	Multi-purpose Tool	
	995-85	Riser Removal Tool	
	995-99	Nut Driver, 5/8" (For Main Nozzle)	
	995-105	Nut Driver, 5/16" (For Intermediate Nozzles)	
	995-100	Valve Snap Ring Pliers with Screen Remover	
	995-102	Riser Hold-up Tool, Universal	
	102-5971	Hex, Trajectory Adjuster	
		* Order Through Finished Goods Distribution System—Minneapolis	

860S Series Sprinkler



Model Number Information

86XS-XX-6XX-E

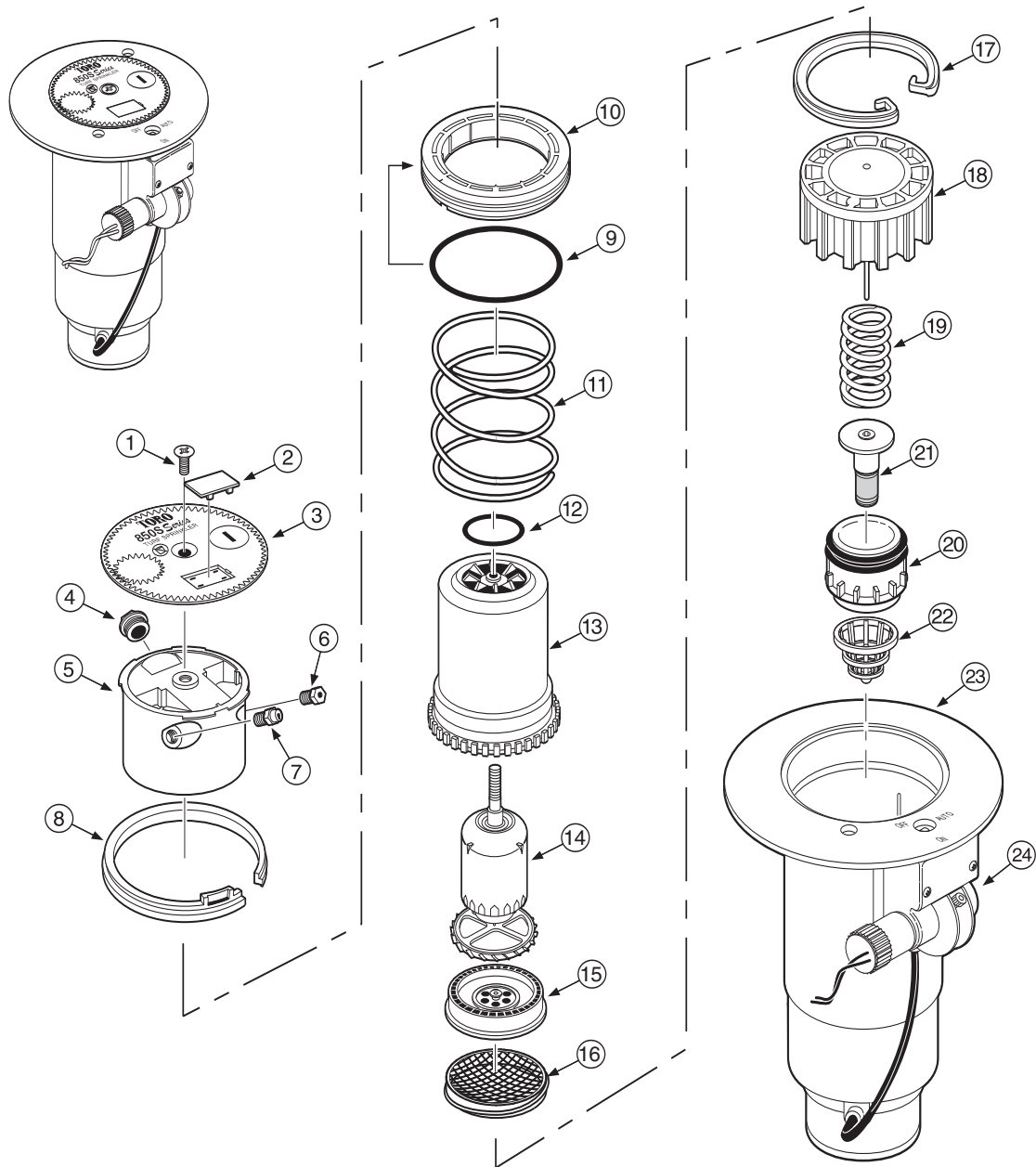
Arc	Body Threads	Valve	Nozzle	Pressure Regulation*	Effluent
4 = Full-circle 5 = Part-circle	0 = NPT 4 = ACME 5 = BSP	1 = NO Valve-In-Head 2 = Check-O-Matic 6 = Electric Valve-In-Head	1 (Yellow) 2 (Blue) 3 (Brown) 4 (Orange) 5 (Green) 6 (Gray) 7 (Black)	6 = 65 PSI 8 = 80 PSI 1 = 100 PSI	

* Pressure Regulation available on Electric VIH models only.

Note: For detailed model number availability and ordering information, refer to the Golf Finished Goods Price List (form no. 490-2844).

Item No.	Part No.	Description	Quantity Per Assy.
1	102-1950	Screw, Cap, Stainless Steel, Full-circle Models	1
1	363-4125	Screw, Cap, Black, Part-circle Models	1
2	89-1589	Plug, Cap	1
3	102-1947	Cap, 860S	1
3	102-2082	Cap, 860S, Effluent	1
4	102-2153	Nozzle Base Assembly	1
5	102-0840	Nozzle, Inner, Blank, Red	1
6	363-4039	Nut, 5/16-24, Nylon Lock	1
7	102-1951	Alignment Washer	1
8	102-1949	Stream Straightener	1
9	363-4104	O-Ring, Main Nozzle	1
10	102-0725	Nozzle, Main, #1, Yellow	1
10	102-0726	Nozzle, Main, #2, Blue	1
10	102-0727	Nozzle, Main, #3, Brown	1
10	102-0728	Nozzle, Main, #4, Orange	1
10	102-0729	Nozzle, Main, #5, Green	1
10	102-0730	Nozzle, Main, #6, Gray	1
10	102-4261	Nozzle, Main, #7, Black	1
11	102-0608	Nozzle, Intermediate, Orange (Use with #1 Yellow Main Nozzle)	1
11	102-0609	Nozzle, Intermediate, Gray (Use with #2 Blue Main Nozzle)	1
11	102-0610	Nozzle, Intermediate, Red (Use with #3 Brown & #4 Orange Main Nozzles)	1
11	102-0823	Nozzle, Intermediate, Beige (Use with #5 Green & #6 Gray Main Nozzles)	1
11	102-2005	Nozzle, Intermediate, Red (Use with #7 Black Main Nozzle)	1
12	102-2980	Nozzle Assembly, Inner, Red (w/Restrictor)	1
13	89-1385	Snap Ring, Riser	1
14	363-4102	O-Ring, Body	1
15	102-0134	Retainer, Seal, 1.0"	1
16	102-0151	Spring, Return	1
17	89-6360	Riser Assembly, 860S	1
18	102-2039	Support Washer	1
19	360-0497	O-Ring	1
20	102-4499	Drive Assembly, PC, (Includes Items 18 & 19), 12-Pack	1
20	102-4498	Drive Assembly, FC, (Includes Items 18 & 19), 12-Pack	1
21	89-1958	Stator Support	1
22	89-1957	Stator, Variable	1
23	89-1588	Screen, 860S/880S	1
24	89-4702	Snap Ring, Valve	1
25	102-0623	Cylinder Assembly	1
26	89-5821	Spring, Valve, COM	1
26	3-2633	Spring, Valve, EL & NO	1
27	89-1054	Piston Assembly, EL (Includes Item 28)	1
27	102-1864	Piston Assembly, COM & NO	1
28	35-9646	Filter assembly, Metering, EL	1
29	102-0784	Screen, Rock, Removable	1
30	102-1094	Body Assembly, Electric, ACME	1
30	102-1092	Body Assembly, Electric, BSP	1
30	102-1090	Body Assembly, Electric, NPT	1
30	102-1082	Body Assembly, COM, ACME	1
30	102-1080	Body Assembly, COM, BSP	1
30	102-1078	Body Assembly, COM, NPT	1
30	102-1088	Body Assembly, NO, ACME	1
30	102-1086	Body Assembly, NO, BSP	1
30	102-1084	Body Assembly, NO, NPT	1
31	-----	Pilot Valve Assembly (See p. 79)	1
		SERVICE ITEMS	
	102-2208	Nozzle, Main, Blank, White	
	102-0840	Nozzle, Inner/Intermediate, Blank, Red	
	102-2135	Nozzle, Inner, Back, High Flow, White	
	102-2136	Nozzle, Inner, Back, Low Flow, Yellow	
	363-4220	Screw, Radius Adjust	
	102-0624	Valve Assembly, Electric (Includes Items 25–28)	
	102-1118	Valve Assembly, Check-O-Matic (Includes Items 25–27)	
	102-1120	Valve Assembly, Normally Open (Includes Items 25–27)	
	102-2506	Cap, 860S, w/o Graphics	
	102-2507	Cap, 860S, w/o Graphics, Effluent	
	*102-2550	Conversion Assy., 865S, 61–64, Ribbed Body	
	*102-2551	Conversion Assy., 865S, 65–67, Ribbed Body	
		SERVICE TOOLS	
	995-08	Valve Removal Tool	
	995-15	Selector Tool (Flag Key)	
	995-76	Valve Insertion Tool	
	995-79	Nut Driver, 7/16" (For Inner Nozzle)	
	995-80	Nut Driver, 1/2" (For 363-4039 Jam Nut)	
	995-82	Arc Adjustment Tool, 3/32" (T-handle hex Wrench)	
	995-83	Multi-purpose Tool	
	995-85	Riser Removal Tool	
	995-99	Nut Driver, 5/8" (For Main Nozzle)	
	995-100	Valve Snap Ring Pliers with Screen Remover	
	995-102	Riser Hold-up Tool, Universal	
		* Order Through Finished Goods Distribution System–Minneapolis	

854S Series Sprinkler



Model Number Information

854S-XX-5XX-E

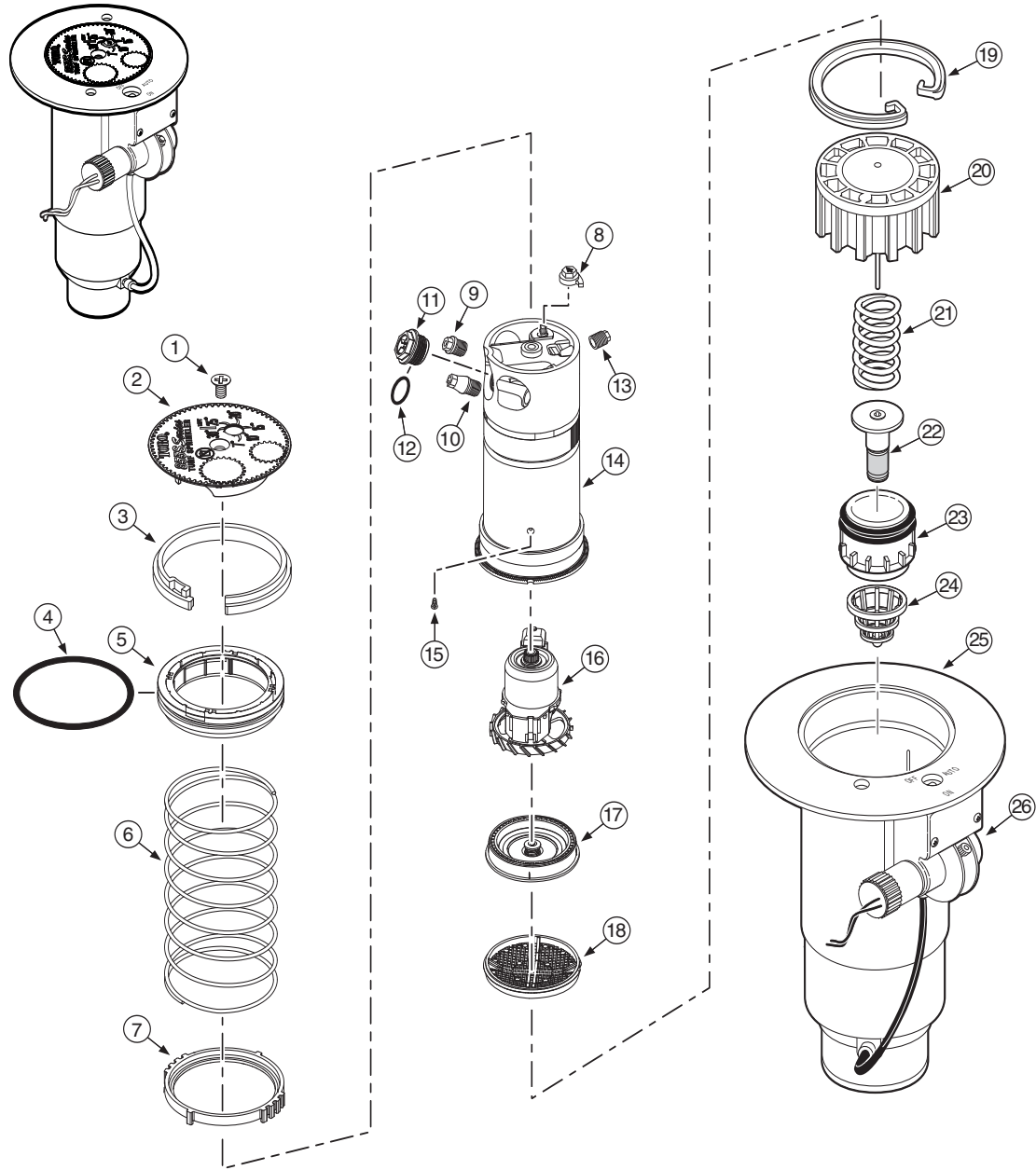
Arc	Body Threads	Valve	Nozzle	Pressure Regulation*	Effluent
4 = Full-circle	0 = NPT 4 = ACME 5 = BSP	1 = NO Valve-In-Head 2 = Check-O-Matic 6 = Electric Valve-In-Head	1 (Yellow) 2 (Blue) 3 (Brown) 4 (Orange) 5 (Green) 6 (Gray) 7 (Black) 8 (Red) 9 (Beige)	6 = 65 PSI 8 = 80 PSI 1 = 100 PSI	

* Pressure Regulation available on Electric VIH models only.

Note: For detailed model number availability and ordering information, refer to the Golf Finished Goods Price List (form no. 490-2844).

Item No.	Part No.	Description	Quantity Per Assy.
1	102-0362	Screw, Cap	1
2	89-1589	Plug, Cap	1
3	102-0231	Cap, 854S	1
3	102-1704	Cap, 854S, Effluent	1
4	102-0725	Nozzle, Main, #1, Yellow	1
4	102-0726	Nozzle, Main, #2, Blue	1
4	102-0727	Nozzle, Main, #3, Brown	1
4	102-0728	Nozzle, Main, #4, Orange	1
4	102-0729	Nozzle, Main, #5, Green	1
4	102-0730	Nozzle, Main, #6, Gray	1
4	102-4261	Nozzle, Main, #7, Black	1
4	102-4260	Nozzle, Main, #8, Red	1
4	102-4259	Nozzle, Main, #9, Beige	1
5	102-0955	Nozzle Base Assembly	1
6	102-2105	Nozzle Assembly, Intermediate, Blue (Used with #1 Yellow & #2 Blue Main Nozzles)	
6	102-2106	Nozzle Assembly, Intermediate, Orange (Used with #3 Brown & #4 Orange Main Nozzles)	
6	102-2107	Nozzle Assembly, Intermediate, Gray (Used with #5 Green & #6 Gray Main Nozzles)	
6	102-2981	Nozzle Assembly, Intermediate, Red (Used with #7 Black, #8 Red & #9 Beige Main Nozzles)	1
7	102-2980	Nozzle assembly, Inner, Red (with Restrictor)	1
8	35-6119	Snap Ring, Riser	1
9	363-4103	O-Ring, Body	1
10	102-0136	Retainer, Seal	1
11	102-0151	Spring, Return	1
12	363-4167	O-Ring, Nozzle Base	1
13	102-0203	Riser	1
14	102-4503	Drive Assembly, 12-Pack	1
15	102-1939	Stator Assembly, Low-flow, Yellow (Use with #1–#4 Main Nozzles)	1
15	102-1940	Stator Assembly, Medium-flow, White (Use with #5–#8 Main Nozzles)	1
15	102-1941	Stator Assembly, High-flow, White (Use with #9 Main Nozzle)	1
16	102-1715	Screen, Riser	1
17	3-3304	Snap Ring, Valve	1
18	102-0626	Cylinder Assembly	1
19	3-3323	Spring, Valve, EL & NO	1
19	3-3311	Spring, Valve, COM	1
20	102-5101	Piston Assembly, Electric (Includes Item 21)	1
20	102-4834	Piston Assembly, COM & NO	1
21	35-9645	Filter Assembly, Metering, EL	1
22	102-0785	Screen, Rock, Removable	1
23	102-1149	Body Assembly, EL, NPT	1
23	102-1151	Body Assembly, EL, BSP	1
23	102-1153	Body Assembly, EL, ACME	1
23	102-1137	Body Assembly, COM, NPT	1
23	102-1139	Body Assembly, COM, BSP	1
23	102-1141	Body Assembly, COM, ACME	1
23	102-1143	Body Assembly, NO, NPT	1
23	102-1145	Body Assembly, NO, BSP	1
23	102-1147	Body Assembly, NO, ACME	1
24	-----	Pilot Valve Assembly (See p. 79)	1
		SERVICE ITEMS	
	102-2208	Nozzle, Main, Blank, White	
	102-0840	Nozzle, Inner/Intermediate, Blank, Red	
	102-2070	Stream Straightener, Intermediate Nozzle	
	102-2041	Restrictor, Yellow, Inner Nozzle	
	102-4003	Valve Assembly, EL (Includes Items 18–21)	
	102-4832	Valve Assembly, COM (Includes Items 18–20)	
	102-4833	Valve Assembly, NO (Includes Items 18–20)	
	102-2504	Cap, 854S, w/o Graphics	
	102-2505	Cap, 854S, w/o Graphics, Effluent	
	102-0950	Adapter, Conversion	
	*102-2532	Conversion Assembly, 854S, 51–54	
	*102-2533	Conversion Assembly, 854S, 55–58	
	*102-2534	Conversion Assembly, 854S, 59	
		SERVICE TOOLS	
	995-09	Valve Removal Tool	
	995-101	Valve Insertion Tool	
	995-15	Selector Tool (Flag Key)	
	995-79	Nut Driver, 7/16" (For Inner Nozzle)	
	995-99	Nut Driver, 5/8" (For Main Nozzle)	
	995-83	Multi-purpose Tool	
	995-85	Riser Removal Tool	
	995-100	Valve Snap Ring Pliers with Screen Remover	
	995-102	Riser Hold-up Tool, Universal	
		* Order Through Finished Goods Distribution System–Minneapolis	

855S Series Sprinkler



Model Number Information

835S-XX-3XX-E

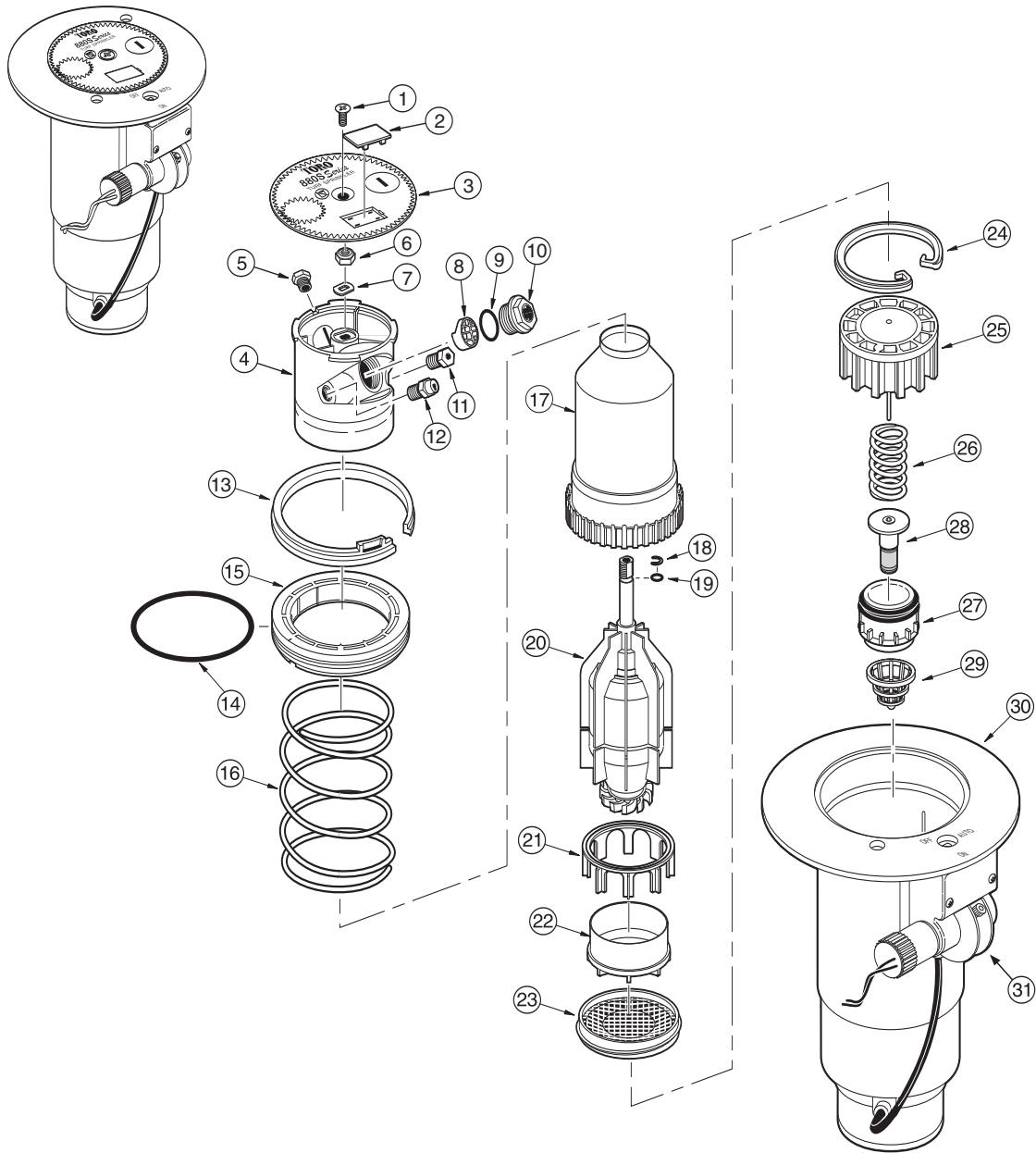
Arc	Body Threads	Valve	Nozzle	Pressure Regulation*	Effluent
5 = Adj. Part Circle/Full Circle	0 = NPT 4 = ACME 5 = BSP	1 = NO Valve-In-Head 2 = Check-O-Matic 6 = Electric Valve-In-Head	1 (Yellow) 2 (Blue) 3 (Brown) 4 (Orange) 5 (Green) 6 (Gray) 7 (Black) 8 (Red) 9 (Beige)	5 = 50 PSI 6 = 65 PSI 8 = 80 PSI 1 = 100 PS	

Note: For detailed model number availability and ordering information, refer to the Golf Finished Goods Price List (form no. 490-2844).

* Pressure Regulation available on Electric VIH models only.

Item No.	Part No.	Description	Quantity Per Assy.
1	102-0362	Screw, Cap	1
2	102-2296	Cap, 855S	1
2	102-2496	Cap, Effluent, 855S	1
3	35-6119	Snap Ring, 1.5"	1
4	363-4103	O-Ring, 1.5"	1
5	102-0136	Retainer Seal, 1.5"	1
6	102-0151	Spring	1
7	102-4967	Ratchet Ring, 1.5"	1
8	102-5973	Trajectory Adjuster	1
9	102-2925	Intermediate Nozzle, Blue (Use with #1, #5, #6, #8 & #9 Main Nozzles)	1
9	102-2926	Intermediate Nozzle, Orange (Use with #3, #4 & #7 Main Nozzles)	1
9	102-2928	Intermediate Nozzle, Red (Use with #2 Main Nozzle)	1
10	102-2910	Nozzle Assy., Inner	1
11	102-4587	Nozzle, Main, #1, Yellow	1
11	102-4588	Nozzle, Main, #2, Blue	1
11	102-4589	Nozzle, Main, #3, Brown	1
11	102-0728	Nozzle, Main, #4, Orange	1
11	102-0729	Nozzle, Main, #5, Green	1
11	102-0730	Nozzle, Main, #6, Gray	1
11	102-4261	Nozzle, Main, #7, Black	1
11	102-4260	Nozzle, Main, #8, Red	1
11	102-4259	Nozzle, Main, #9, Beige	1
12	363-4104	O-Ring, Main Nozzle	1
13	102-4335	Plug, Nozzle, Back	1
14	102-2892	Riser Assy.	1
15	363-4236	Screw, Drive	1
16	102-4504	Drive Assy., 12-Pack	1
17	102-1939	Stator, Low (Use with Main Nozzles 1-4)	1
17	102-1940	Stator, Medium (Use with Main Nozzles 5-8)	1
17	102-1941	Stator, High (Use with Main Nozzle 9)	1
18	102-1715	Screen	1
19	3-3304	Snap Ring, Valve	1
20	102-0626	Cylinder Assembly	1
21	3-3323	Spring, Valve, EL & NO	1
21	3-3311	Spring, Valve, COM	1
22	35-9645	Filter Assembly, Metering, EL	1
23	102-5101	Piston Assembly, Electric (Includes Item 22)	1
23	102-4834	Piston Assembly, COM & NO	1
24	102-0785	Screen, Rock, Removable	1
25	102-1149	Body Assembly, EL, NPT	1
25	102-1151	Body Assembly, EL, BSP	1
25	102-1153	Body Assembly, EL, ACME	1
25	102-1137	Body Assembly, COM, NPT	1
25	102-1139	Body Assembly, COM, BSP	1
25	102-1141	Body Assembly, COM, ACME	1
25	102-1143	Body Assembly, NO, NPT	1
25	102-1145	Body Assembly, NO, BSP	1
25	102-1147	Body Assembly, NO, ACME	1
26	-----	Pilot Valve Assembly (See p. 79)	1
		SERVICE ITEMS	
	102-2208	Nozzle, Main, Blank, White	
	102-0840	Nozzle, Inner/Intermediate, Blank, Red	
	102-2070	Stream Straightener, Intermediate Nozzle	
	102-2041	Restrictor, Yellow, Inner Nozzle	
	102-4003	Valve Assembly, EL (Includes Items 18-21)	
	102-4832	Valve Assembly, COM (Includes Items 18-20)	
	102-4833	Valve Assembly, NO (Includes Items 18-20)	
	102-2497	Cap, Blank, 855S	
	102-2498	Cap, Blank, Effluent, 855S	
	102-0950	Adapter, Conversion	
	*102-5396	Conversion Assembly, 855S, 51-54	
	*102-5397	Conversion Assembly, 855S, 55-58	
	*102-5398	Conversion Assembly, 855S, 59	
	995-105	5/16" Nutdriver, Intermediate Nozzles	
		SERVICE TOOLS	
	995-09	Valve Removal Tool	
	995-101	Valve Insertion Tool	
	995-15	Selector Tool (Flag Key)	
	995-79	Nut Driver, 7/16" (For Inner Nozzle)	
	995-99	Nut Driver, 5/8" (For Main Nozzle)	
	995-105	Nut Driver, 5/16" (For Intermediate Nozzles)	
	995-83	Multi-purpose Tool	
	995-85	Riser Removal Tool	
	995-100	Valve Snap Ring Pliers with Screen Remover	
	995-102	Riser Hold-up Tool, Universal	
	102-5971	Hex, Trajectory Adjuster	
		* Order Through Finished Goods Distribution System—Minneapolis	

880S Series Sprinkler



Model Number Information

88XS-XX-8XX-E

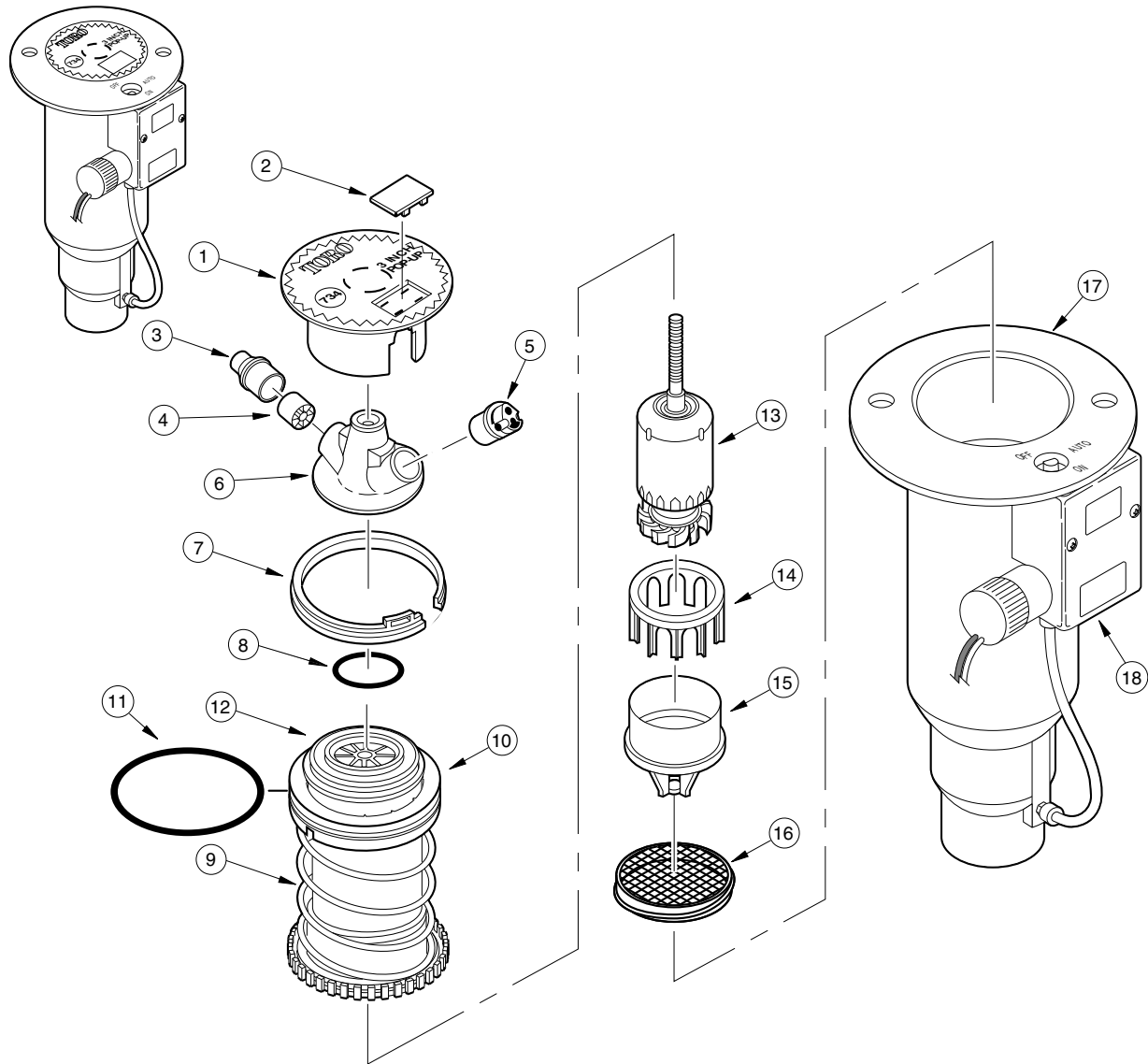
Arc	Body Threads	Valve	Nozzle	Pressure Regulation*	Effluent
4 = Full-circle 5 = Part-circle	0 = NPT 4 = ACME 5 = BSP	1 = NO Valve-In-Head 2 = Check-O-Matic 6 = Electric Valve-In-Head	1 (Yellow) 2 (Blue) 3 (Brown) 4 (Orange) 5 (Green) 6 (Gray) 7 (Black) 8 (Red)	6 = 65 PS 8 = 80 PSI 1 = 100 PSI	

* Pressure Regulation available on Electric VIH models only.

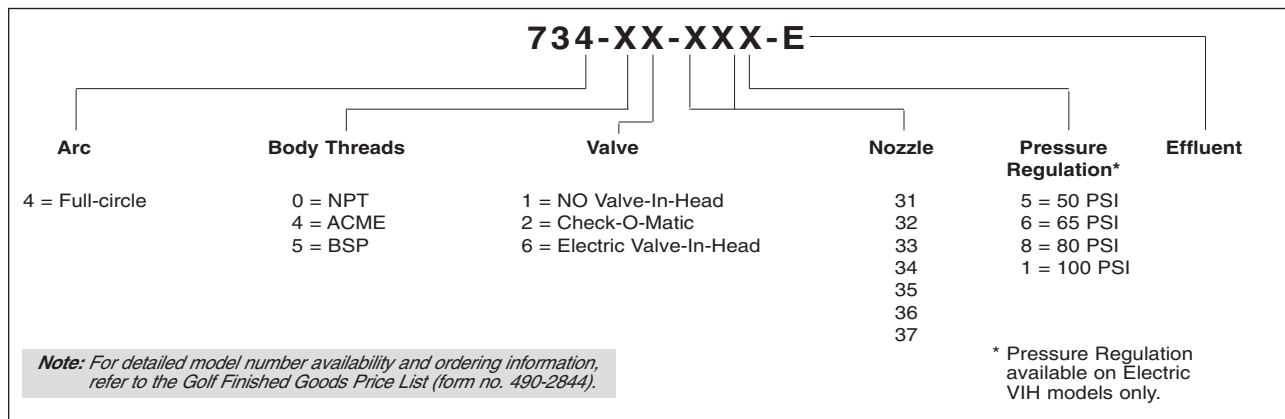
Note: For detailed model number availability and ordering information, refer to the Golf Finished Goods Price List (form no. 490-2844).

Item No.	Part No.	Description	Quantity Per Assy.
1	102-1950	Screw, Cap, Stainless Steel, FC Models	1
1	363-4125	Screw, Cap, Black PC Models	1
2	89-1589	Plug, Cap	1
3	102-1948	Cap, 880S	1
3	102-2083	Cap, 880S, Effluent	1
4	102-2153	Nozzle Base Assembly	1
5	102-0840	Nozzle Inner, Blank, Red	1
6	363-4039	Nut, 5/16-24, w/Nylon Lock	1
7	102-1951	Alignment Washer	1
8	102-1949	Stream Straightener	1
9	363-4104	O-Ring, Main Nozzle	1
10	102-0725	Nozzle, Main, #1, Yellow	1
10	102-0726	Nozzle, Main, #2, Blue	1
10	102-0727	Nozzle, Main, #3, Brown	1
10	102-0728	Nozzle, Main, #4, Orange	1
10	102-0729	Nozzle, Main, #5, Green	1
10	102-0730	Nozzle, Main, #6, Gray	1
10	102-4261	Nozzle, Main, #7, Black	1
10	102-4260	Nozzle, Main, #8, Red	1
11	102-0608	Nozzle, Intermediate, Orange (Used with #1 Yellow Main Nozzle)	1
11	102-0609	Nozzle, Intermediate, Gray (Used with #2 Blue Main Nozzle)	1
11	102-0610	Nozzle, Intermediate, Red (Used with #3 Brown & #4 Orange Main Nozzles)	1
11	102-0823	Nozzle, Intermediate, Beige (Used with #5 Green & #6 Gray Main Nozzles)	1
11	102-2005	Nozzle, Intermediate, Red (Used with #7 Black & #8 Red Main Nozzles)	1
12	102-2980	Nozzle Assembly, Inner, Red (with Restrictor)	1
13	35-6119	Snap Ring, Riser	1
14	363-4103	O-Ring, Body	1
15	102-0136	Retainer, Seal, 1.5"	1
16	102-0151	Spring, Return	1
17	89-6361	Riser Assembly, 880S	1
18	102-2039	Support Ring	1
19	360-0497	O-Ring	1
20	102-4499	Drive Assembly, PC (Includes Items 18 & 19), 12-Pack	1
20	102-4498	Drive Assembly, FC (Includes Items 18 & 19), 12-Pack	1
21	89-1958	Stator Support	1
22	89-1957	Stator, Variable	1
23	89-1588	Screen, 860S/880S	1
24	3-3304	Snap Ring, Valve	1
25	102-0626	Cylinder Assembly	1
26	3-3323	Spring, Valve, EL & NO	1
26	3-3311	Spring, Valve, COM	1
27	102-5101	Piston Assembly, EL (Includes Item 28)	1
27	102-4834	Piston Assembly, COM & NO	1
28	35-9645	Filter Assembly, Metering, EL	1
29	102-0785	Screen, Rock, Removable	1
30	102-1153	Body Assembly, EL, ACME	1
30	102-1151	Body Assembly, EL, BSP	1
30	102-1149	Body Assembly, EL, NPT	1
30	102-1141	Body Assembly, COM, ACME	1
30	102-1139	Body Assembly, COM, BSP	1
30	102-1137	Body Assembly, COM, NPT	1
30	102-1147	Body Assembly, NO, ACME	1
30	102-1145	Body Assembly, NO, BSP	1
30	102-1143	Body Assembly, NO, NPT	1
31	- - - - -	Pilot Valve Assembly (See p. 79)	1
		SERVICE ITEMS	
	102-2208	Nozzle, Main, Blank, White	
	102-0840	Nozzle, Inner/Intermediate, Blank, Red	
	102-2135	Nozzle, Inner, Back, High Flow, White	
	102-2136	Nozzle, Inner, Back, Low Flow, Yellow	
	363-4220	Screw, Radius Adjust	
	102-4003	Valve Assembly, EL (Includes Items 25–28)	
	102-4832	Valve Assembly, COM (Includes Items 25–27)	
	102-4833	Valve Assembly, NO (Includes Items 24–27)	
	102-2508	Cap, 880S, w/o Graphics	
	102-2509	Cap, 880S, w/o Graphics, Effluent	
	102-0950	Adapter, Conversion	
	*102-2552	Conversion Assy., 885S, 81–84, Ribbed Body	
	*102-2553	Conversion Assy., 885S, 85–88, Ribbed Body	
	*102-2554	Conversion Assy., 885S, 81–84, Ribless Body	
	*102-2555	Conversion Assy., 885S, 85–88, Ribless Body	
		SERVICE TOOLS	
	995-09	Valve Removal Tool	
	995-101	Valve Insertion Tool	
	995-15	Selector Tool (Flag Key)	
	995-79	Nut Driver, 7/16" (For Inner Nozzle)	
	995-99	Nut Driver, 5/8" (For Main Nozzle)	
	995-83	Multi-purpose Tool	
	995-85	Riser Removal Tool	
	995-100	Valve Snap Ring Pliers with Screen Remover	
	995-102	Riser Hold-up Tool, Universal	
		* Order Through Finished Goods Distribution System–Minneapolis	

730 Series

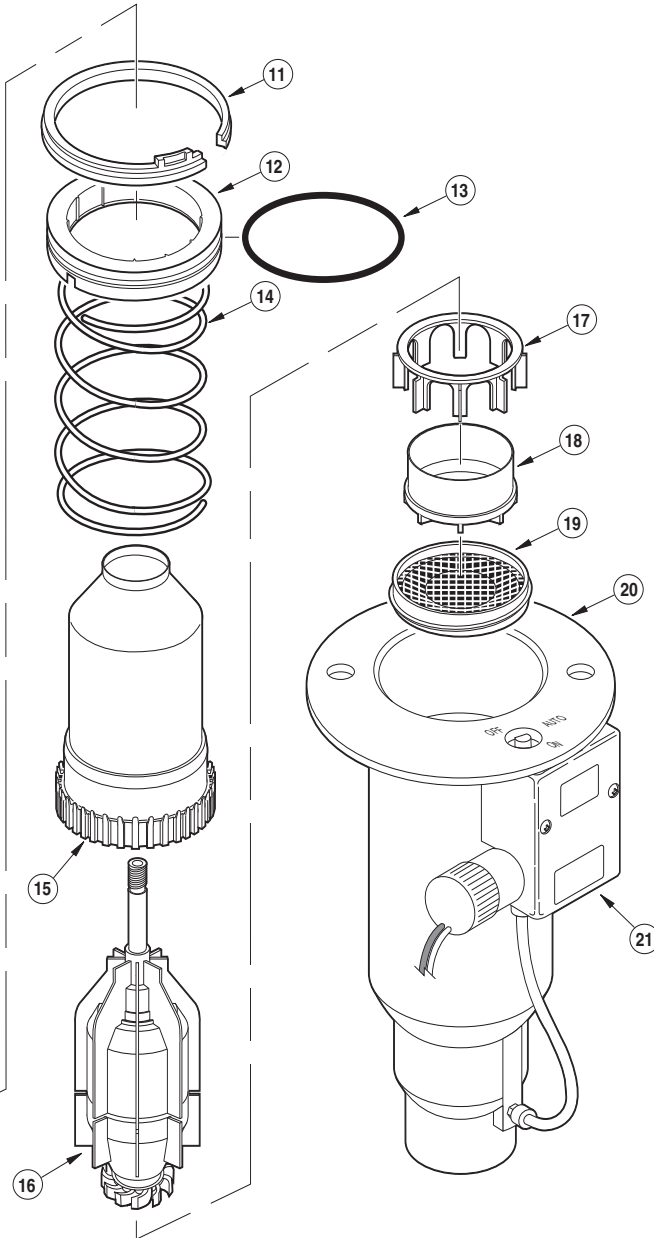
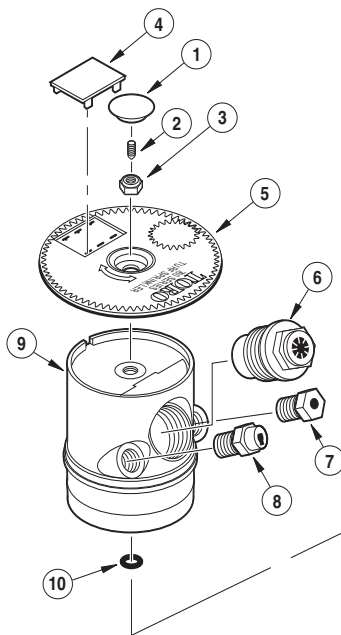
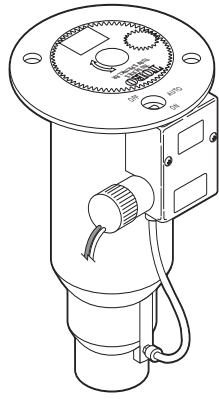


Model Number Information



Item No.	Part No.	Description	Quantity Per Assy.
1	89-1293	Cap	1
2	89-1589	Plug, Cap (Black)	1
3	89-8780	Nozzle, Main, 31, Yellow (Includes Item 4)	1
3	89-8781	Nozzle, Main, 32, Orange (Includes Item 4)	1
3	89-8782	Nozzle, Main, 33, Brown (Includes Item 4)	1
3	89-8783	Nozzle, Main, 34, Blue (Includes Item 4)	1
3	89-8784	Nozzle, Main, 35, Green (Includes Item 4)	1
3	89-8785	Nozzle, Main, 36, Red (Includes Item 4)	1
3	89-8786	Nozzle, Main, 37, Gray (Includes Item 4)	1
4	9-4098	Insert, Nozzle	1
5	102-5003	Nozzle Assy., Inner, 31–37, Quad, Red	1
6	89-8907	Base Assy., Nozzle (Includes Nozzle Base and Insert Bearing)	1
7	89-1385	Snap Ring	1
8	363-4167	Seal, O-Ring	1
9	-----	Riser Assy. (See Service Item 89-7562)	1
10	-----	Retainer, Spring (See Service Item 89-5979)	1
11	363-4102	O-Ring	1
12	89-1386	Retainer, Riser	1
13	102-4502	Drive Assy., 12-Pack	1
14	89-1390	Housing, Stator	1
15	89-9636	Stator, Variable, 31–35, Manila	1
15	89-9637	Stator, Variable, 36–37, Black	1
16	89-6495	Screen	1
17	-----	Body Assy. (See p. 74)	1
18	-----	Pilot Valve Assembly (See p. 78)	1
		SERVICE ITEMS	
	102-1868	Nozzle Assy., Less Cap, 734-31 (Includes Items 3–6)	
	102-1869	Nozzle Assy., Less Cap, 734-32 (Includes Items 3–6)	
	102-1870	Nozzle Assy., Less Cap, 734-33 (Includes Items 3–6)	
	102-1871	Nozzle Assy., Less Cap, 734-34 (Includes Items 3–6)	
	102-1735	Nozzle Assy., Less Cap, 734-35 (Includes Items 3–6)	
	102-1736	Nozzle Assy., Less Cap, 734-36 (Includes Items 3–6)	
	102-1737	Nozzle Assy., Less Cap, 734-37 (Includes Items 3–6)	
	102-0597	Nozzle Assy., Inner, 31–34 Blue, Stainless Steel	
	*89-4097	Conversion Assy., 734-31 (Includes Items 1–16 w/31 Nozzle)	
	*89-4098	Conversion Assy., 734-32 (Includes Items 1–16 w/32 Nozzle)	
	*89-1981	Conversion Assy., 734-33 (Includes Items 1–16 w/33 Nozzle)	
	*89-1982	Conversion Assy., 734-34 (Includes Items 1–16 w/34 Nozzle)	
	*89-1983	Conversion Assy., 734-35 (Includes Items 1–16 w/35 Nozzle)	
	*89-4248	Conversion Assy., 734-36 (Includes Items 1–16 w/36 Nozzle)	
	*89-8787	Conversion Assy., 734-37 (Includes Items 1–16 w/37 Nozzle)	
	89-4894	Adapter Ring, 730	
	89-5979	Seal Kit, 730 (Includes Items 10–12)	
	89-7562	Riser Assy. w/Screen, 730 Svc. (Includes Items 9–12 & 16)	
	35-4557	Screen, Press-in Type (Pre-9/94)	
	89-4735	Yardage Marker (10 sheets per pack)	
	89-8289	Cap, Effluent	
		SERVICE TOOLS	
	995-15	Selector Tool	
	995-100	Valve Snap Ring Pliers with Screen Remover	
	995-08	Valve Removal Tool	
	996-76	Valve Insertion Tool	
	995-83	Multi-purpose Tool	
		* Order Through Finished Goods Distribution System—Minneapolis	

760 Series



Model Number Information

764-XX-XXX-E

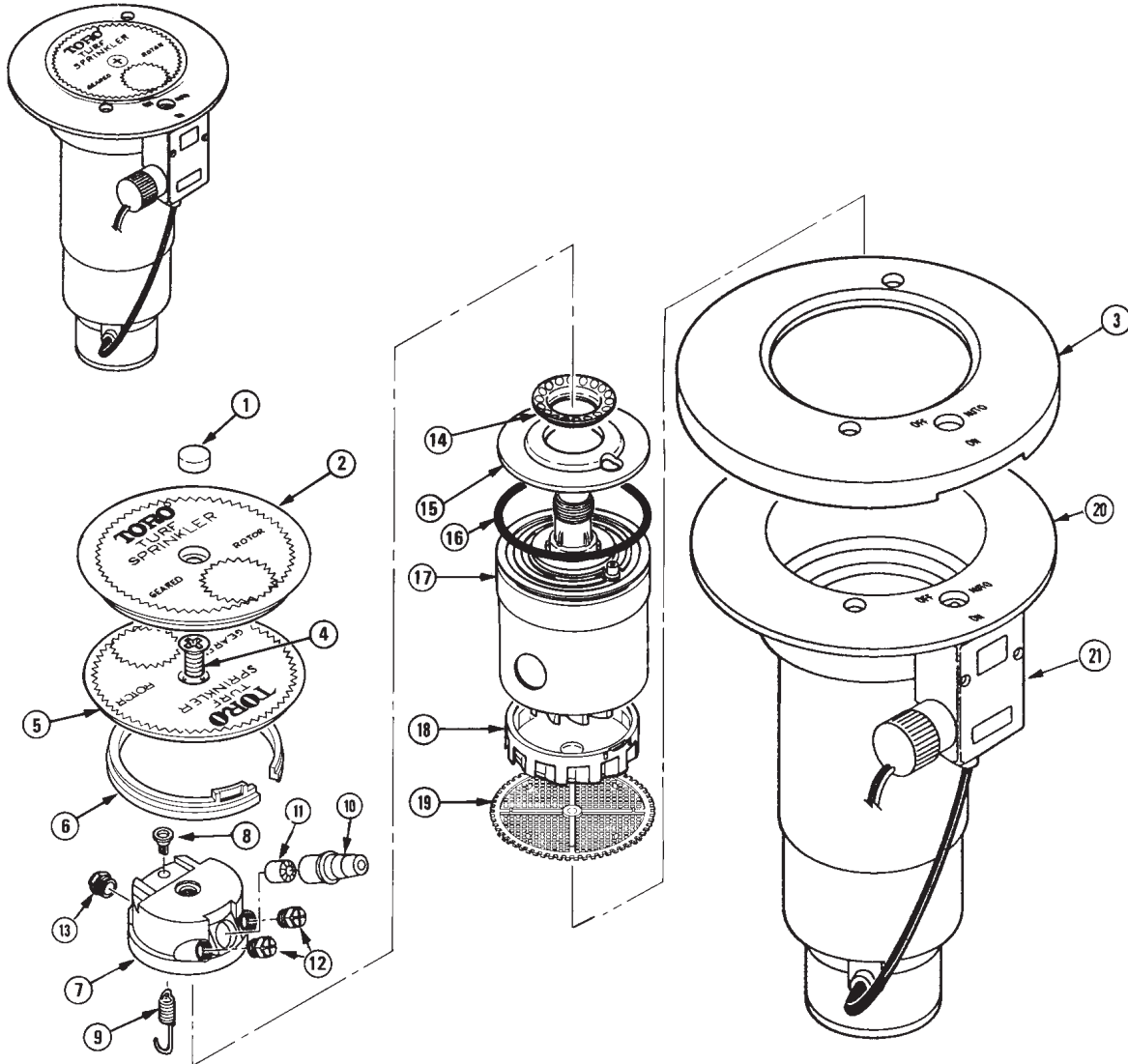
Arc	Body Threads	Valve	Nozzle	Pressure Regulation*	Effluent
4 = Full-circle 5 = Adj. Part Circle (30-330°)	0 = NPT 4 = ACME 5 = BSP	1 = NO Valve-In-Head 2 = Check-O-Matic 6 = Electric Valve-In-Head	62 63 64 65 66 67 68	5 = 50 PSI 6 = 65 PSI 8 = 80 PSI 1 = 100 PSI	

Note: For detailed model number availability and ordering information, refer to the Golf Finished Goods Price List (form no. 490-2844).

* Pressure Regulation available on Electric VIH models only.

Item No.	Part No.	Description	Quantity Per Assy.
1	89-1220	Plug, Adjustment	1
2	363-3150	Screw, Set, 10-32 x .250 (PC Models Only)	1
3	363-4039	Nut, Jam, 5/16-24 w/Nylon Lock	1
4	89-1589	Plug, Cap	1
5	89-1952	Cap, 760	1
6	89-1925	Nozzle, Main, 62 Yellow	1
6	89-1926	Nozzle, Main, 63 Blue	1
6	89-1927	Nozzle, Main, 64 Brown	1
6	89-1928	Nozzle, Main, 65 Orange	1
6	89-1929	Nozzle, Main, 66 Green	1
6	89-1930	Nozzle, Main, 67 Gray	1
6	89-1931	Nozzle, Main, 68 Black	1
7	102-0607	Nozzle Intermediate, Blue (Use with #62 Yellow and #63 Blue Main Nozzles)	1
7	102-0608	Nozzle, Intermediate, Orange (Use with #64 Brown Main Nozzle)	1
7	102-0609	Nozzle Intermediate, Gray (Use with #65 Orange Main Nozzle)	1
7	102-0610	Nozzle, Intermediate, Red (Use with #66 Green and #67 Gray Main Nozzles)	1
7	102-0823	Nozzle, Intermediate, Beige (Use with #68 Main Nozzle)	1
8	102-2980	Nozzle Assy., Inner, Red w/Restrictor	1
9	89-1906	Nozzle Base Assy., 760/780	1
9	102-0057	Nozzle Base Assy., 760/780 w/Back Nozzle (Includes 89-3729 Nozzle, Inner 85 Orange and 89-4650 Restrictor)	1
10	360-0107	O-Ring	1
11	89-1385	Snap Ring	1
12	102-0134	Retainer, Seal, 1.0"	1
13	363-4102	O-Ring, Body	1
14	89-6307	Spring, Return	1
15	89-6360	Riser Assy., 760	1
16	102-4497	Drive Assy., PC, 12-Pack	1
16	102-4496	Drive Assy., FC, 12-Pack	1
17	89-1958	Stator Support	1
18	89-1957	Stator, Variable	1
19	89-1588	Screen, 760/780	1
20	-----	Body Assembly (See p. 74)	1
21	-----	Pilot Valve Assembly (See p. 78)	1
		SERVICE ITEMS	
	89-8287	Cap, Effluent	
	363-3125	Nozzle, Main, Blank, Black	
	102-0840	Nozzle, Inner/Intermediate, Blank, Red	
	89-4651	Nozzle, Inner, 62 Yellow (Pre-November 2003)	
	89-3942	Nozzle, Inner, 63 Blue (Pre-November 2003)	
	89-4652	Nozzle, Inner, 64 Brown (Pre-November 2003)	
	89-3729	Nozzle, Inner, 65 Orange (Pre-November 2003)	
	89-4653	Nozzle, Inner, 66 Green (Pre-November 2003)	
	89-1879	Nozzle, Inner, 67 Gray (Pre-November 2003)	
	89-4654	Nozzle, Inner, 68 Black (Pre-November 2003)	
	89-4649	Restrictor, (62 & 63 Black) (Pre-November 2003)	
	89-4650	Restrictor, (64-68 White) (Pre-November 2003)	
	89-4735	Yardage Marker, Yellow (10 Sheets Per Pack)	
	*89-7005	764-62 Full-circle Conversion Assembly, Ribbed Body (Includes Items 1-19)	
	*89-7006	764-63 Full-circle Conversion Assembly, Ribbed Body (Includes Items 1-19)	
	*89-7007	764-64 Full-circle Conversion Assembly, Ribbed Body (Includes Items 1-19)	
	*89-7008	764-65 Full-circle Conversion Assembly, Ribbed Body (Includes Items 1-19)	
	*89-7009	764-66 Full-circle Conversion Assembly, Ribbed Body (Includes Items 1-19)	
	*89-7010	764-67 Full-circle Conversion Assembly, Ribbed Body (Includes Items 1-19)	
	*89-7011	764-68 Full-circle Conversion Assembly, Ribbed Body (Includes Items 1-19)	
	*89-7012	765-62 Part-circle Conversion Assembly, Ribbed Body (Includes Items 1-19)	
	*89-7013	765-63 Part-circle Conversion Assembly, Ribbed Body (Includes Items 1-19)	
	*89-7014	765-64 Part-circle Conversion Assembly, Ribbed Body (Includes Items 1-19)	
	*89-7015	765-65 Part-circle Conversion Assembly, Ribbed Body (Includes Items 1-19)	
	*89-7016	765-66 Part-circle Conversion Assembly, Ribbed Body (Includes Items 1-19)	
	*89-7017	765-67 Part-circle Conversion Assembly, Ribbed Body (Includes Items 1-19)	
	*89-7018	765-68 Part-circle Conversion Assembly, Ribbed Body (Includes Items 1-19)	
		SERVICE TOOLS	
	995-08	Valve Removal Tool	
	995-15	Selector Tool (Flag Tool)	
	995-55	Riser Hold-up Tool	
	995-76	Valve Insertion Tool	
	995-79	Nut Driver, 7/16" (For Inner Nozzle)	
	995-80	Nut Driver, 1/2" (For 363-4039 Lock Nut)	
	995-81	Nut Driver, 9/16" (For Main Nozzle)	
	995-82	Arc Adjustment Tool 3/32" (T-handle Hex Wrench)	
	995-83	Multi-purpose Tool	
	995-85	Riser Removal Tool	
	995-100	Valve Snap Ring Pliers with Screen Remover	
		* Order Through Finished Goods Distribution System-Minneapolis	

650 Series



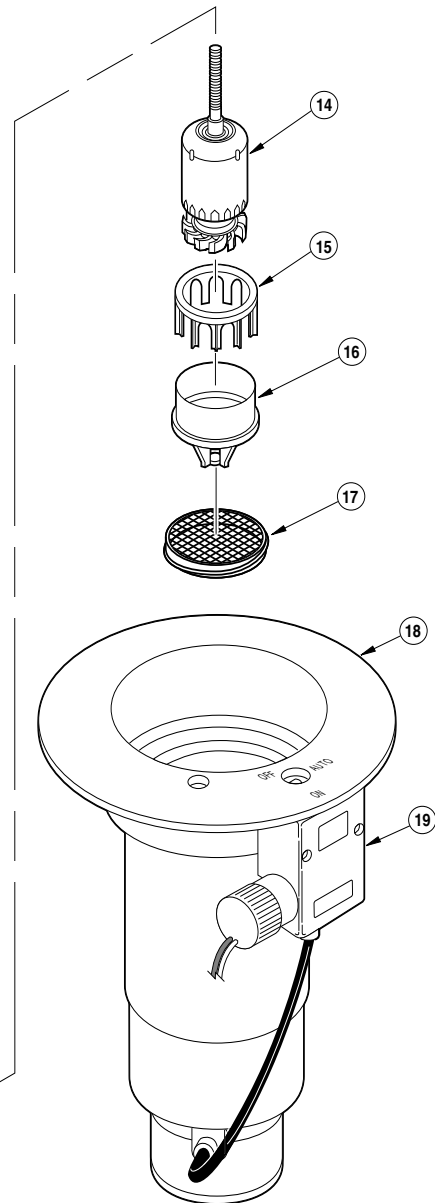
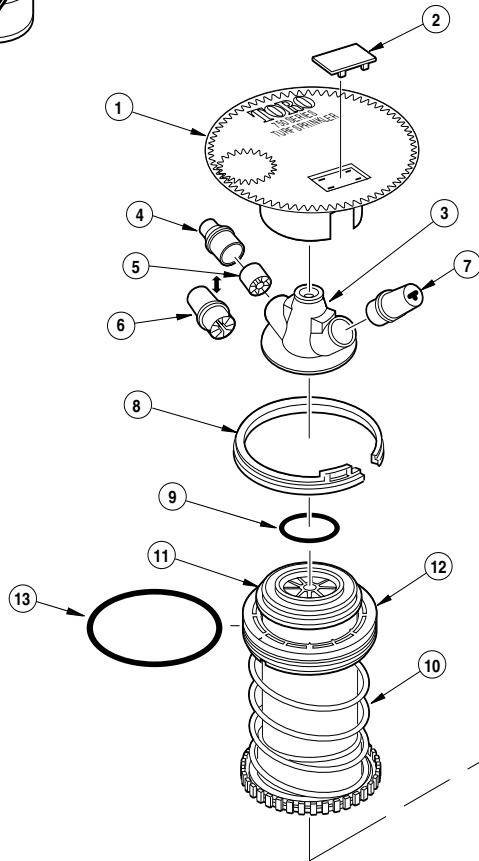
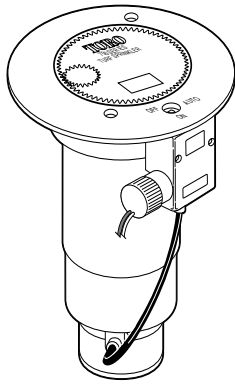
Model Number Information

65X-XX-XXX				
Arc	Body Threads	Valve	Nozzle	Pressure Regulation *
§ 1 = Quarter-circle	0 = NPT	1 = NO Valve-In-Head	54	5 = 50 PSI
§ 2 = Half-circle	5 = BSP	2 = Check-O-Matic	55	6 = 50 PSI
§ 4 = Full-circle		6 = Electric Valve-In-Head	56	8 = 80 PSI
§ 5 = Adj. Part-circle (45-315°)			57	1 = 100 PSI
6 = Full-circle, 2-speed, In-line (60-120°)			58	
8 = Full-circle, 2-speed, (180-180°)			59	

* Pressure Regulation available on Electric VIH models only.
 § Pre-1998 models only.

Item No.	Part No.	Description	Quantity Per Assy.
1	3-2095	Plug, Cap	1
2	35-8563	Cap Assy., Cover	1
3	9-5355	Rubber cover, Rounded Flange, (See Service Item 650-02)	1
4	3-2510	Screw, Machine, 5/16-18 x 11/16"	1
5	89-8461	Cap	1
6	35-6119	Ring, Snap, Drive Assembly	1
7	-----	Nozzle Base Assy., 656 (See Service Item 35-7638)	1
7	-----	Nozzle Base Assy., 658 (See Service Item 35-4853)	1
8	35-5846	Retainer, Spring	1
9	35-6289	Spring, Nozzle	1
10	35-7658	Nozzle, Main, #54 (Includes Item 11)	1
10	35-7659	Nozzle, Main, #55 (Includes Item 11)	1
10	35-7660	Nozzle, Main, #56 (Includes Item 11)	1
10	35-7661	Nozzle, Main, #57 (Includes Item 11)	1
10	35-7662	Nozzle, Main, #58 (Includes Item 11)	1
10	35-9839	Nozzle, Main, #59	1
11	89-5819	Insert, Nozzle (Not Used with #59 Nozzle)	1
12	89-3942	Nozzle, Inner, Blue	1
12	89-4738	Nozzle, Inner, Red	1
13	89-4785	Nozzle, Back, Green (658 Models Only)	1
14	9-2735	Collar, Spring	1
15	3-2093	Plate, Retainer	1
16	363-4103	O-Ring, Paraffin, AS-568 234	1
17	89-4772	Drive Assy., 651, 54-57 Nozzles, 90° (Color Coded Green) (Includes Items 14 & 15)	1
17	89-4782	Drive Assy., 651, 58-59 Nozzles, 90° (Color Coded Green) (Includes Items 14 & 15)	1
17	89-4773	Drive Assy., 652, 54-57 Nozzles, 180° (Color Coded Blue) (Includes Items 14 & 15)	1
17	89-4783	Drive Assy., 652, 58-59 Nozzles, 180° (Color Coded Blue) (Includes Items 14 & 15)	1
17	89-4774	Drive Assy., 654, 54-57 Nozzles, FC Includes Items 14 & 15)	1
17	89-1294	Drive Assy., 654, 58-59 Nozzles, FC (Includes Items 14 & 15)	1
17	89-4775	Drive Assy., 655, 54-57 Nozzles, PC 45-315° (Includes Items 14 & 5)	1
17	89-0645	Drive Assy., 655, 58-59 Nozzles, PC 45-315° (Includes Items 14 & 15)	1
17	89-4842	Drive Assy., 656, 54-57 Nozzles, 2-speed 60-120° (Color Coded Red) (Incl. Items 14 & 15)	1
17	89-1295	Drive Assy., 656, 58-59 Nozzles, 2-speed 60-120° (Color Coded Red) (Incl. Items 14 & 15)	1
17	89-4843	Drive Assy., 658, 54-57 Nozzles, 2-speed 180-180° (Color Coded Yellow) (Incl. Items 14-15)	1
17	89-1296	Drive Assy., 658, 58-59 Nozzles, 2-speed 180-180° (Color Coded Yellow) (Incl. Items 14 & 5)	1
18	9-5187	Stator, 34/59 (Used with 651-59, 652-59, 654-59, 655-59, 656-59, & 658-59)	1
18	9-5188	Stator, 54 (Used with 651-54, 652-54, 654-54, 655-54, 656-54 & 658-54)	1
18	9-5186	Stator, 55/56 (Used with 651-55, 652-55, 654-55, 655-55, 656-55, 658-55, 651-56, 652-56, 654-56, 655-56, 656-56, & 658-56)	1
18	9-5190	Stator, 57 (Used with 651-57, 652-57, 654-57, 655-57, 656-57, & 658-57)	1
18	9-5192	Stator, 58 (Used with 651-58, 652-58, 654-58, 655-58, 656-58 & 658-58)	1
19	35-1106	Screen, Molded	1
20	-----	Body Assy. (See p. 74)	1
21	-----	Pilot Valve Assembly (See p. 78)	1
SERVICE ITEMS			
	650-02	Kit, Rubber Cover (Includes Items 1-3)	
	35-3598	Stream Straightener, Debris Resistant	
	*89-0644	Conversion Assy., 654-59 (Includes Items 4-19)	
	*89-1068	Conversion Assy., 656-59 (Includes Items 4-19)	
	*89-0643	Conversion Assy., 658-59 (Includes Items 4-19)	
	*89-0835	Conversion Assy., 655-59 (Includes Items 4-19)	
	35-7638	Nozzle Assy., w/o Main Nozzle, 650 (Includes Items 4, 5, 7, 8, 9 and 12)	
	89-4795	Nozzle Assy., w/o Main Nozzle and Cap, 650 (Includes Items 7, 8, 9 and 12)	
	89-4852	Nozzle Assy., w/o Main Nozzle, 658 (Includes Items 4, 5, 7, 8, 9, 12 and 13)	
	89-4853	Nozzle Assy., w/o Main Nozzle and Cap, 658 (Includes Items 7, 8, 9, 12 and 13)	
	102-0840	Nozzle, Inner/Intermediate, Blank, Red	
	363-3397	Plug, DA, 7/16", 52-57 Nozzles	
	363-3398	Plug, DA, 13/16", 58-59 Nozzles	
SERVICE TOOLS			
	995-09	Valve Removal Tool	
	995-06	Drive Assembly Extraction Tool	
	995-15	Selector Tool (Flag Key)	
	995-16	Riser Pliers	
	995-18	Spring Collar Installation Tool	
	995-34	Rubber Cover Installation Tool	
	995-79	Nut Driver 7/16" (For Inner Nozzle)	
	995-83	Multi-purpose Tool	
	995-100	Valve Snap Ring Pliers with Screen Remover	
	995-101	Valve Insertion Tool	
* Order Through Finished Goods Distribution System-Minneapolis			

750 Series

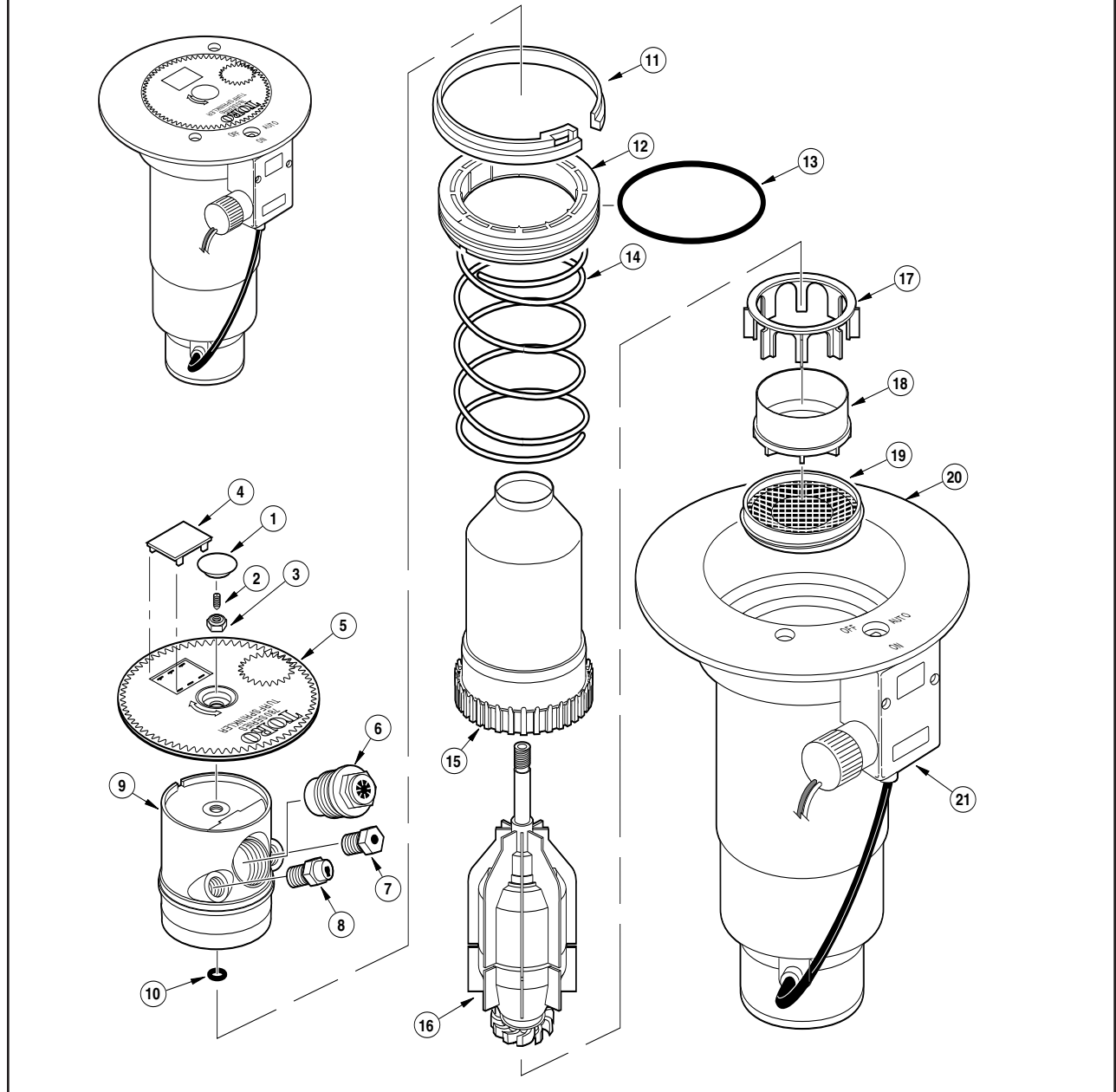


Model Number Information

754-XX-XXX				
Arc	Body Threads	Valve	Nozzle	Pressure Regulation*
4 = Full-circle	0 = NPT 4 = ACME 5 = BSP	1 = NO Valve-In-Head 2 = Check-O-Matic 6 = Electric Valve-In-Head	52 53 54 55 56 57 58 59	5 = 50 PSI 6 = 65 PSI 8 = 80 PSI 1 = 100 PSI
				* Pressure Regulation available on Electric VIH models only.

Item No.	Part No.	Description	Quantity Per Assy.
1	89-4812	Cap	1
2	89-1589	Plug, Cap (Black)	1
3	89-8907	Nozzle Base Assy. (Includes Nozzle Base and Insert Bearing)	1
4	89-8781	Nozzle, Main, 52, Orange, Short (Includes Item 5)	1
4	89-8782	Nozzle, Main, 53, Brown, Short (Includes Item 5)	1
4	89-8783	Nozzle, Main, 54, Blue, Short (Includes Item 5)	1
4	89-8969	Nozzle, Main, 55, Green, Long (Includes Item 5)	1
5	9-4098	Insert, Nozzle	1
6	89-8701	Nozzle, Main, 56, Red, Long	1
6	89-8702	Nozzle, Main, 57, Gray, Long	1
6	89-8614	Nozzle, Main, 58, Beige, Long	1
6	89-8615	Nozzle, Main, 59, Black, Long	1
7	89-8715	Nozzle, Inner, 52–54, Red	1
7	89-8373	Nozzle, Inner, 55–59, Black	1
8	35-6119	Snap Ring, Head	1
9	363-4167	O-Ring	1
10	-----	Riser Assy. (See Service Item 89-7563)	1
11	89-1386	Retainer, Riser	1
12	-----	Retainer, Spring (See Service Item 89-4352)	1
13	363-4103	O-Ring	1
14	102-4502	Drive Assy., 12-Pack	1
15	89-1390	Housing, Stator	1
16	89-9636	Stator, Variable, 754-52–55 (Manila)	1
16	89-9637	Stator, Variable, 754-56 (Black)	1
16	89-9622	Stator, Variable, 754-57 (Green)	1
16	89-9954	Stator, Variable, 754-58–59 (Red)	1
17	89-6495	Screen	1
18	-----	Body Assy. (See p. 76)	1
19	-----	Pilot Valve Assy. (See p. 78)	1
		SERVICE ITEMS	
	89-8916	Nozzle Assy., 754-52, Orange (Includes Items 1–5 & 7)	
	89-8917	Nozzle Assy., 754-53, Brown (Includes Items 1–5 & 7)	
	89-8918	Nozzle Assy., 754-54, Blue (Includes Items 1–5 & 7)	
	89-8919	Nozzle Assy., 754-55, Green (Includes Items 1–3 & 5-7)	
	89-8920	Nozzle Assy., 754-56, Red (Includes Items 1–3, 6 & 7)	
	89-8921	Nozzle Assy., 754-57, Gray (Includes Items 1–3, 6 & 7)	
	89-8922	Nozzle Assy., 754-58, Beige (Includes Items 1–3, 6 & 7)	
	89-8926	Nozzle Assy., 754-59, Black (Includes Items 1–3, 6 & 7)	
	89-4352	Seal Kit, 750 (Includes Items 11–13)	
	89-7563	Riser Assy. w/Screen (Includes Items 10–13 & 17)	
	35-4557	Screen, Press-in Type (Pre-9/94 Production)	
	89-6359	Support, Screen (Use with 35-4557 Screen)	
	89-4735	Yardage Marker, Yellow (10 Sheets Per Pack)	
	89-8290	Cap, Effluent	
	*89-4354	Conversion Assy., 754-52 (Includes Items 1–5 & 7–17)	
	*89-4355	Conversion Assy., 754-53 (Includes Items 1–5 & 7–17)	
	*89-4356	Conversion Assy., 754-54 (Includes Items 1–5 & 7–17)	
	*89-4357	Conversion Assy., 754-55 (Includes Items 1–3 & 7–17)	
	*89-4358	Conversion Assy., 754-56 (Includes Items 1–3 & 6–17)	
	*89-4359	Conversion Assy., 754-57 (Includes Items 1–3 & 6–17)	
	*89-4360	Conversion Assy., 754-58 (Includes Items 1–3 & 6–17)	
	*89-8925	Conversion Assy., 754-59 (Includes Items 1–3 & 6–17)	
		SERVICE TOOLS	
	995-09	Valve Removal Tool	
	995-15	Selector Tool (Flag Key)	
	995-55	Riser Hold-up Tool	
	995-83	Multi-purpose Tool	
	995-85	Riser Removal Tool	
	995-101	Valve Insertion Tool	
	995-100	Valve Snap Ring Pliers with Screen Remover	

780 Series



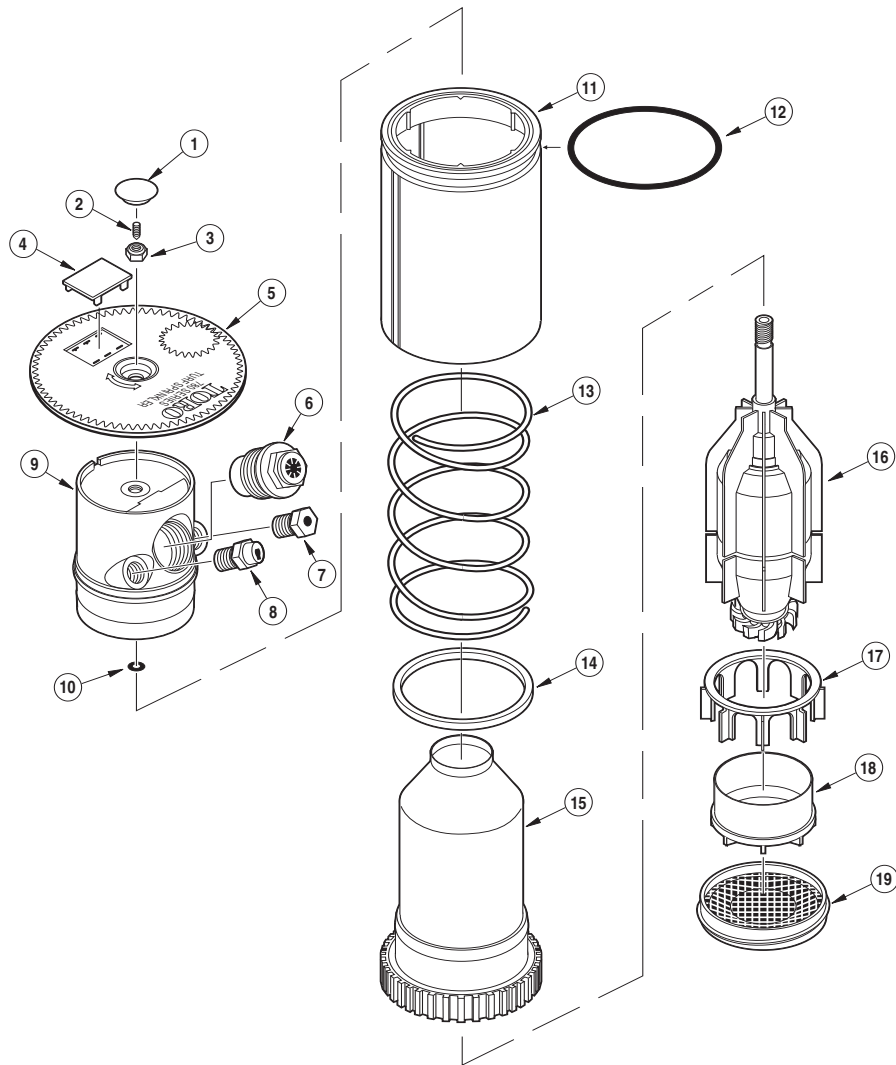
Model Number Information

78X-XX-XXX				
Arc	Body	Valve	Nozzle	Pressure Regulation*
4 = Full-circle	0 = NPT	1 = NO Valve-In-Head	82	5 = 50 PSI
5 = Adj. Part Circle (30–330°)	4 = ACME	2 = Check-O-Matic	83	6 = 65 PSI
	5 = BSP	6 = Electric Valve-In-Head	84	8 = 80 PSI
			85	1 = 100 PSI
			86	
			87	
			88	
			89	

* Pressure Regulation available on Electric VIH models only.

Item No.	Part No.	Description	Quantity Per Assy.
1	89-1220	Plug, Adjustment	1
2	363-3150	Screw, Set, 10-32 x 1/4" (PC Only)	1
3	363-4039	Nut, 5/16-24 w/Nylon Lock	1
4	89-1589	Plug, Cap	1
5	89-1584	Cap, 780	1
6	89-1925	Nozzle, Main, 82 Yellow	1
6	89-1926	Nozzle, Main, 83 Blue	1
6	89-1927	Nozzle, Main, 84 Brown	1
6	89-1928	Nozzle, Main, 85 Orange	1
6	89-1929	Nozzle, Main, 86 Green	1
6	89-1930	Nozzle, Main, 87 Gray	1
6	89-1931	Nozzle, Main, 88 Black	1
6	89-4655	Nozzle, Main, 89 Red	1
7	102-0607	Nozzle, Intermediate, Blue (Use with #82 Yellow and #83 Blue Main Nozzles)	1
7	102-0608	Nozzle, Intermediate, Orange (Use with #84 Brown Main Nozzle)	1
7	102-0609	Nozzle, Intermediate, Gray (Use with #85 Orange Main Nozzle)	1
7	102-0610	Nozzle, Intermediate, Red (Use with #86 Green and #87 Gray Main Nozzles)	1
7	102-0823	Nozzle, Intermediate, Beige (Use with #88 Black and #89 Red Main Nozzles)	1
8	102-2980	Nozzle Assy., Inner, Red w/Restrictor	1
9	89-1906	Nozzle Base Assy., 760/780	1
9	102-0057	Nozzle Base Assy., 760/780 w/Back Nozzle (Includes 89-3729 #85 Inner Nozzle and 89-4650 Restrictor)	
10	360-0107	O-Ring	1
11	35-6119	Snap Ring	1
12	102-0136	Retainer, Seal, 1.5"	1
13	363-4103	O-Ring	1
14	89-6307	Spring, Return	1
15	89-6361	Riser Assy., 780	1
16	102-4497	Drive Assy., PC, 12-Pack	1
16	102-4496	Drive Assy., FC, 12-Pack	1
17	89-1958	Stator Support	1
18	89-1957	Stator, Variable	1
19	89-1588	Screen, 760 & 780	1
20	-----	Body Assy. (See p. 76)	1
21	-----	Pilot Valve Assy. (See p. 78)	1
		SERVICE ITEMS	
	363-3125	Nozzle, Main, Blank, Black	
	102-0840	Nozzle, Inner/Intermediate, Blank, Red	
	89-4651	Nozzle, Inner, 82 Yellow (Pre-November 2003)	
	89-3942	Nozzle, Inner, 83 Blue (Pre-November 2003)	
	89-4652	Nozzle, Inner, 84 Brown (Pre-November 2003)	
	89-3729	Nozzle, Inner, 85 Orange (Pre-November 2003)	
	89-4653	Nozzle, Inner, 86 Green (Pre-November 2003)	
	89-1879	Nozzle, Inner, 87 Gray (Pre-November 2003)	
	89-4654	Nozzle, Inner, 88 Black (Pre-November 2003)	
	89-1878	Nozzle, Inner, 89 Red (Pre-November 2003)	
	89-4649	Restrictor, (82 & 83 Black) (Pre-November 2003)	
	89-4650	Restrictor, (84–89 White) (Pre-November 2003)	
	89-8288	Cap, Effluent	
	89-4735	Yardage Marker (10 Sheets Per Pack)	
		SERVICE TOOLS	
	995-09	Valve Removal Tool	
	995-15	Selector Tool (Flag Key)	
	995-55	Riser Hold-up Tool	
	995-79	Nut Driver, 7/16" (For Inner Nozzle)	
	995-80	Nut Driver, 1/2" (For 363-4039 Lock Nut)	
	995-81	Nut Driver, 9/16" (For Main Nozzle)	
	995-82	Arc Adjustment Tool 3/32" (T-handle Hex Wrench)	
	995-83	Multi-purpose Tool	
	995-85	Riser Removal Tool	
	995-101	Valve Insertion Tool	
	995-100	Valve Snap Ring Pliers with Screen Remover	
		* Order Through Finished Goods Distribution System–Minneapolis	

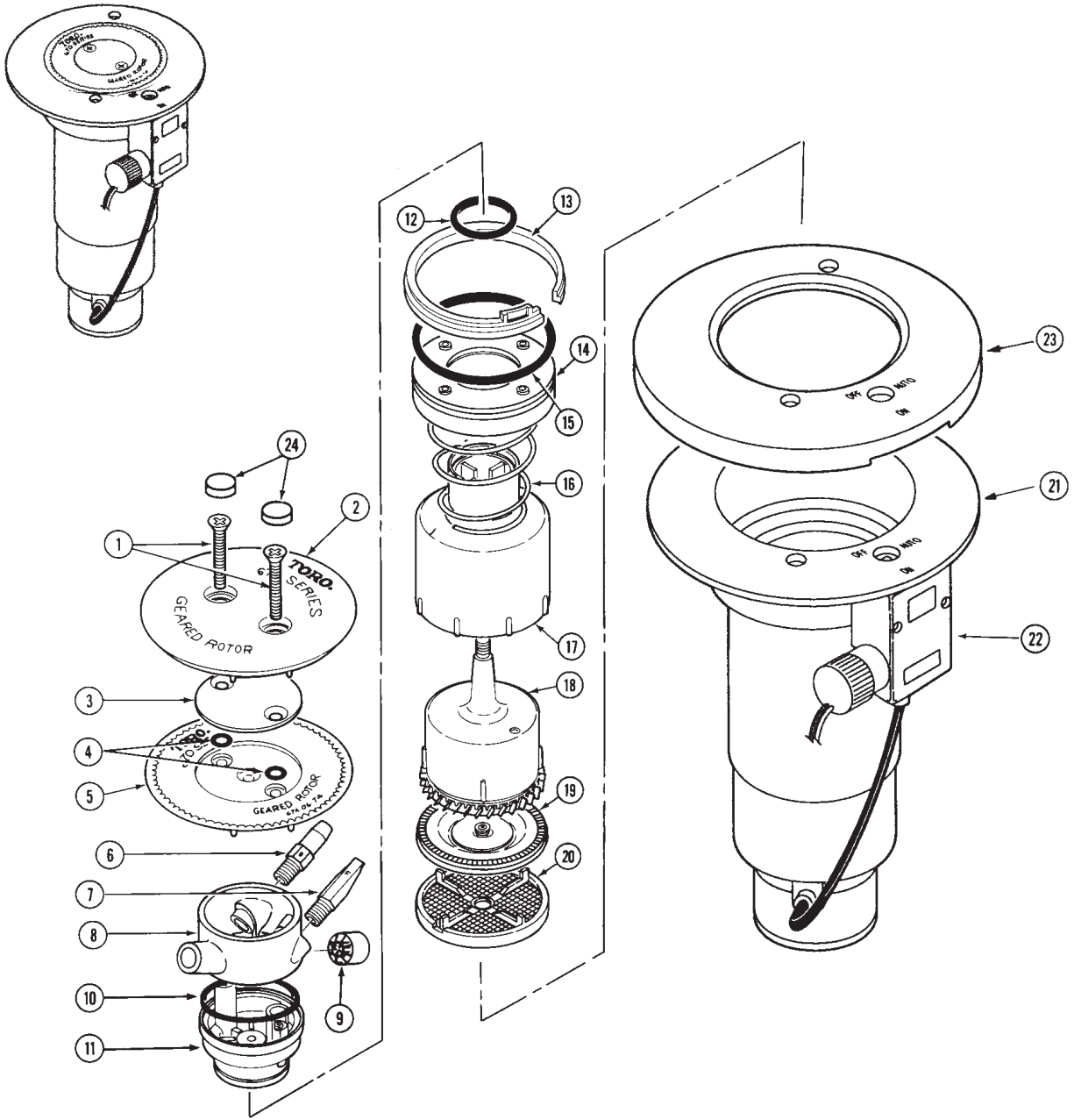
780 Series Conversion Assembly



Item No.	Part No.	Description	Quantity Per Assy.
	*89-6989	784-82 Full-circle Conversion Assembly w/82 Nozzle (Includes Items 1-19)	
	*89-6990	784-83 Full-circle Conversion Assembly w/83 Nozzle (Includes Items 1-19)	
	*89-6991	784-84 Full-circle Conversion Assembly w/84 Nozzle (Includes Items 1-19)	
	*89-6992	784-85 Full-circle Conversion Assembly w/85 Nozzle (Includes Items 1-19)	
	*89-6993	784-86 Full-circle Conversion Assembly w/86 Nozzle (Includes Items 1-19)	
	*89-6994	784-87 Full-circle Conversion Assembly w/87 Nozzle (Includes Items 1-19)	
	*89-6995	784-88 Full-circle Conversion Assembly w/88 Nozzle (Includes Items 1-19)	
	*89-6996	784-89 Full-circle Conversion Assembly w/89 Nozzle (Includes Items 1-19)	
	*89-6997	785-82 Part-circle Conv. Assy. w/82 Nozzle (Includes Items 1-19) (Ribless Body)	
	*89-6998	785-83 Part-circle Conv. Assy. w/83 Nozzle (Includes Items 1-19) (Ribless Body)	
	*89-6999	785-84 Part-circle Conv. Assy. w/84 Nozzle (Includes Items 1-19) (Ribless Body)	
	*89-7000	785-85 Part-circle Conv. Assy. w/85 Nozzle (Includes Items 1-19) (Ribless Body)	
	*89-7001	785-86 Part-circle Conv. Assy. w/86 Nozzle (Includes Items 1-19) (Ribless Body)	
	*89-7002	785-87 Part-circle Conv. Assy. w/87 Nozzle (Includes Items 1-19) (Ribless Body)	
	*89-7003	785-88 Part-circle Conv. Assy. w/88 Nozzle (Includes Items 1-19) (Ribless Body)	
	*89-7004	785-89 Part-circle Conv. Assy. w/89 Nozzle (Includes Items 1-19) (Ribless Body)	
	*89-8038	785-82 Part-circle Conv. Assy. w/82 Nozzle (Includes Items 1-19) (Ribbed Body)	
	*89-8039	785-83 Part-circle Conv. Assy. w/83 Nozzle (Includes Items 1-19) (Ribbed Body)	
	*89-8040	785-84 Part-circle Conv. Assy. w/84 Nozzle (Includes Items 1-19) (Ribbed Body)	
	*89-8041	785-85 Part-circle Conv. Assy. w/85 Nozzle (Includes Items 1-19) (Ribbed Body)	
	*89-8042	785-86 Part-circle Conv. Assy. w/86 Nozzle (Includes Items 1-19) (Ribbed Body)	
	*89-8043	785-87 Part-circle Conv. Assy. w/87 Nozzle (Includes Items 1-19) (Ribbed Body)	
	*89-8044	785-88 Part-circle Conv. Assy. w/88 Nozzle (Includes Items 1-19) (Ribbed Body)	
	*89-8164	785-89 Part-circle Conv. Assy. w/89 Nozzle (Includes Items 1-19) (Ribbed Body)	

Item No.	Part No.	Description	Quantity Per Assy.
1	89-1220	Plug, Adjustment	1
2	363-3150	Screw, Set, 10-32 x 1/4" (PC Only)	1
3	363-4039	Nut, 5/16-24 w/Nylon Lock	1
4	89-1589	Plug, Cap	1
5	89-1584	Cap, 780	1
6	89-1925	Nozzle, Main, 82 Yellow	1
6	89-1926	Nozzle, Main, 83 Blue	1
6	89-1927	Nozzle, Main, 84 Brown	1
6	89-1928	Nozzle, Main, 85 Orange	1
6	89-1929	Nozzle, Main, 86 Green	1
6	89-1930	Nozzle, Main, 87 Gray	1
6	89-1931	Nozzle, Main, 88 Black	1
6	89-4655	Nozzle, Main, 89 Red	1
7	102-0607	Nozzle, Intermediate, Blue (Use with #82 Yellow and #83 Blue Main Nozzles)	1
7	102-0608	Nozzle, Intermediate, Orange (Use with #84 Brown Main Nozzle)	1
7	102-0609	Nozzle, Intermediate, Gray (Use with #85 Orange Main Nozzle)	1
7	102-0610	Nozzle, Intermediate, Gray (Use with #86 Green and #87 Gray Main Nozzles)	1
7	102-0823	Nozzle, Intermediate, Beige (Use with #88 Black and #89 Red Main Nozzles)	1
8	102-2980	Nozzle Assy., Inner, Red w/Restrictor	1
8	89-1906	Nozzle Base Assy., 760/780	1
9	102-0057	Nozzle Base Assy., 760/780 w/Back Nozzle (Includes 89-3729 Nozzle, Inner #85, Orange and 89-4650 Restrictor)	1
10	360-0107	O-Ring	1
11	89-7568	Sleeve, Retainer, O-Ring, 780 Conversion	1
12	363-4103	O-Ring	1
13	89-6307	Spring, Return	1
14	89-7569	Seal, Riser	1
15	89-6360	Riser Assy., 760	1
16	102-4497	Drive Assy., PC, 12-Pack	1
16	102-4496	Drive Assy., FC, 12-Pack	1
17	89-1958	Stator Support	1
18	89-1957	Stator, Variable	1
19	89-1588	Screen, 760 & 780	1
		SERVICE ITEMS	
	363-3125	Nozzle, Main, Blank, Black	
	102-0840	Nozzle, Inner/Intermediate, Blank, Red	
	89-4651	Nozzle, Inner, 82 Yellow (Pre-November 2003)	
	89-3942	Nozzle, Inner, 83 Blue (Pre-November 2003)	
	89-4652	Nozzle, Inner, 84 Brown (Pre-November 2003)	
	89-3729	Nozzle, Inner, 85 Orange (Pre-November 2003)	
	89-4653	Nozzle, Inner, 86 Green (Pre-November 2003)	
	89-1879	Nozzle, Inner, 87 Gray (Pre-November 2003)	
	89-4654	Nozzle, Inner, 88 Black (Pre-November 2003)	
	89-1878	Nozzle, Inner, 89 Red (Pre-November 2003)	
	89-4649	Restrictor, (82 & 83 Black) (Pre-November 2003)	
	89-4650	Restrictor, (84-89 White) (Pre-November 2003)	
	89-8288	Cap, Effluent	
		SERVICE TOOLS	
	995-09	Valve Removal Tool	
	995-15	Selector Tool (Flag Key)	
	995-55	Riser Hold-up Tool	
	995-79	Nut Driver, 7/16" (For Inner Nozzle)	
	995-80	Nut Driver, 1/2" (For 363-4039 Lock Nut)	
	995-81	Nut Driver, 9/16" (For Main Nozzle)	
	995-82	Arc Adjustment Tool 3/32" (T-handle Hex Wrench)	
	995-83	Multi-purpose Tool	
	995-85	Riser Removal Tool	
	995-101	Valve Insertion Tool	
	995-100	Valve Snap Ring Pliers with Screen Remover	
		* Order Through Finished Goods Distribution System-Minneapolis	

670 Series

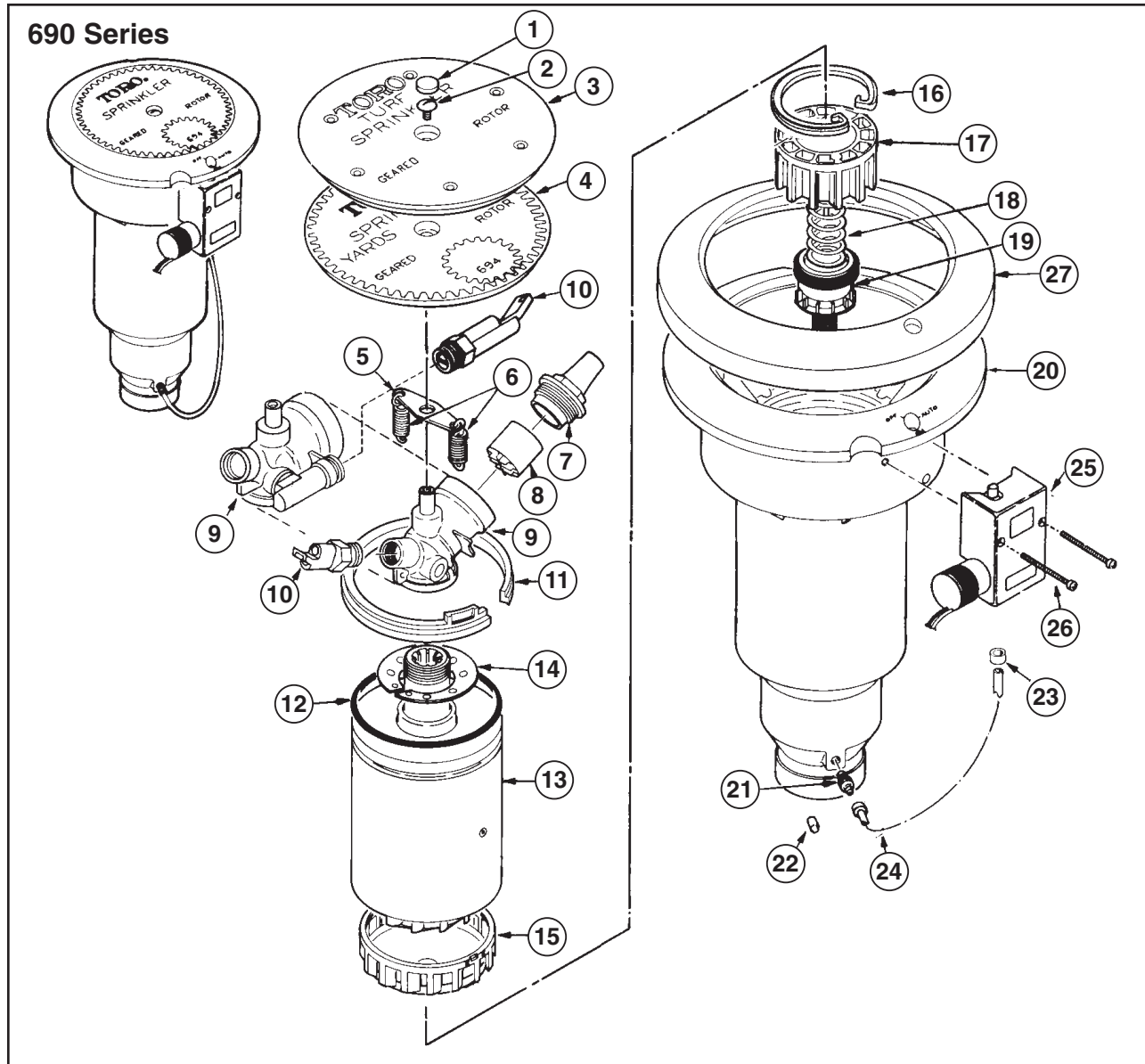


Model Number Information

674-XX-XXX				
Arc	Body	Valve	Nozzle	Pressure Regulation *
4 = Full-circle	0 = NPT 4 = ACME 5 = BSP	1 = NO Valve-In-Head 2 = Check-O-Matic 6 = Electric Valve-In-Head	70 71 72 73 74	6 = 65 PSI 8 = 80 PSI 1 = 100 PSI

* Pressure Regulation available on Electric and NC VIH models only.

Item No.	Part No.	Description	Quantity Per Assy.
1	363-1571	Screw, Machine, 1/4-20 X 2", SST	2
2	9-5633	Cap Assy, Rubber Cover	1
3	9-3735	Plate, Cap, Insert	1
4	360-0107	O-Ring, 0.070" x 0.301" x 0.441"	2
5	35-0530	Cap, Sprinkler, 670	1
6	9-2793	Nozzle, "0" Intermediate	1
7	9-7177	Nozzle, "F" Inner	1
8	9-7962	Ring, Nozzle Assy., #70 (5/16")	1
8	9-7963	Ring, Nozzle Assy., #71 (11/32")	1
8	9-7964	Ring, Nozzle Assy., #72 (3/8")	1
8	9-7965	Ring, Nozzle Assy., #73 (13/32")	1
8	9-7966	Ring, Nozzle Assy., #74 (7/16")	1
9	89-5813	Straightener, Stream	1
10	360-0398	O-Ring, 0.070" x 1.989" x 2.129"	1
11	9-7407	Nozzle Base Assy.	1
12	9-5075	O-Ring, Housing, Outer	1
13	35-6119	Ring, Snap, Head	1
14	9-5055	Spring Retainer & Plate Assembly	1
15	363-4103	O-Ring, Paraffin AS-568 234	1
16	9-3737	Spring, Return	1
17	9-3874	Drive Assy., Outer Housing	1
18	9-3908	Drive Assy. (Includes Item 17)	1
19	9-4091	Stator, Fixed (Used with #70 & #71 Nozzle)	1
19	9-4529	Stator, Variable (Used with #72, #73 & #74 Nozzle)	1
20	35-3611	Screen, Debris	1
21	-----	Body Assy. (See p. 76)	1
22	-----	Pilot Valve Assy. (See p. 78)	1
23	9-5355	Cover, Flange, Rubber	1
24	3-2518	Plug, Cap, Rubber	1
		SERVICE ITEMS	
	89-0475	670 Nozzle Assy., #70 (Includes Items 1 & 3-12)	
	9-7415	670 Nozzle Assy., #71 (Includes Items 1 & 3-12)	
	9-7416	670 Nozzle Assy., #72 (Includes Items 1 & 3-12)	
	9-7417	670 Nozzle Assy., #73 (Includes Items 1 & 3-12)	
	9-7418	670 Nozzle Assy., #74 (Includes Items 1 & 3-12)	
	9-7271	Adapter, Tubing (Oversize Thread)	
	35-3599	Stream Straightener, Debris Resistant	
	670-01	Kit, Rubber Cover (Includes Items 2, 23 & 24)	
		SERVICE TOOLS	
	995-09	Valve Removal Tool	
	995-15	Selector Tool (Flag Key)	
	995-83	Multi-purpose Tool	
	995-100	Valve Snap Ring Pliers with Screen Remover	
	995-101	Valve Insertion Tool	



Model Number Information

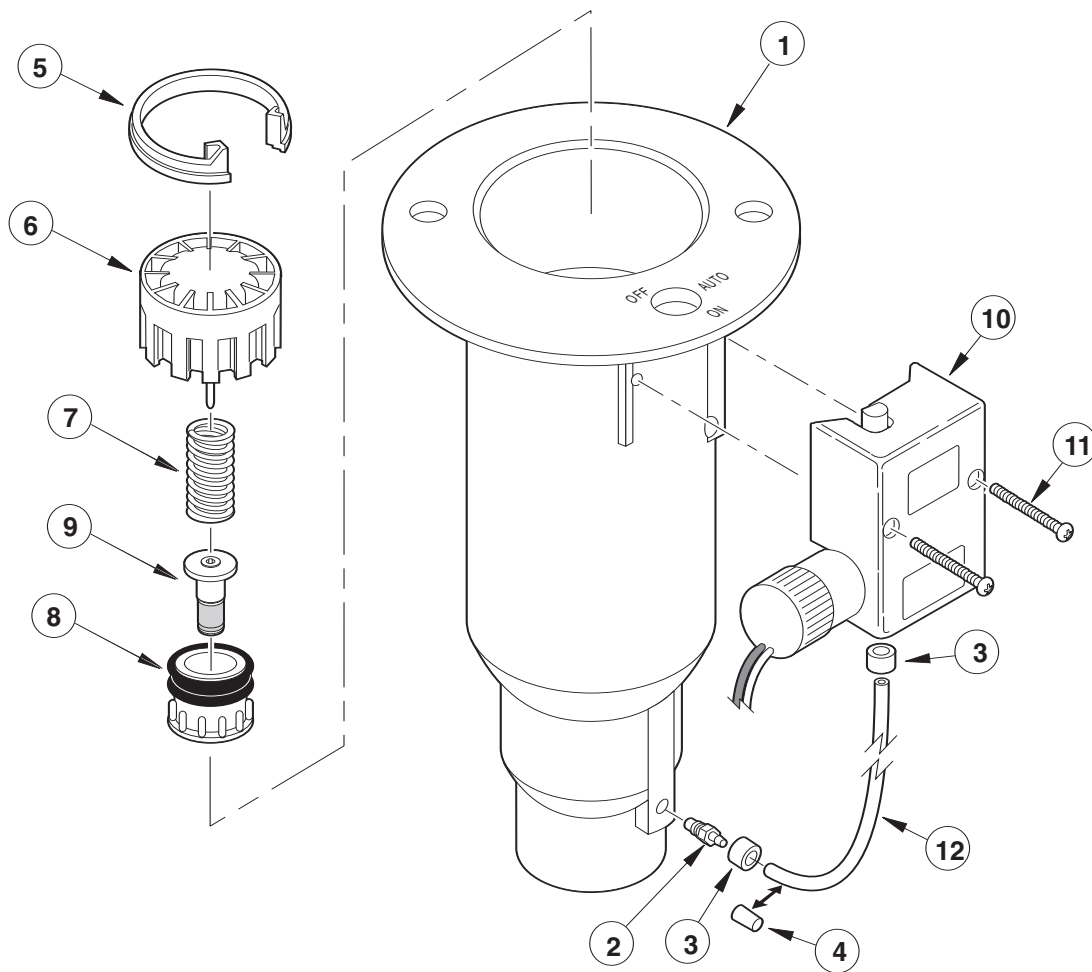
69X-XX-XXX				
Arc	Body Threads	Valve	Nozzle	Pressure Regulation *
1 = 90° Quarter-circle	0 = NPT	1 = NO Valve-In-Head	90	8 = 80 PSI
2 = 180° Half-circle		2 = Check-O-Matic	91	1 = 100 PSI
4 = Full-circle		6 = Electric Valve-In-Head	92	
6 = Full-circle, 2-speed, (60°-120°)				
8 = Full-circle, 2-speed, (180°-180°)				
A = 150°				
B = 165°				
C = 195°				
D = 210°				

* Pressure Regulation available on Electric & NC VIH models only.

Item No.	Part No.	Description	Quantity Per Assy.
1	3-2518	Plug, Cap , Rubber	1
2	3-3567	Screw, Machine, 1/4-20 x3/8"	1
3	3-3582	Cover, Cap, Rubber	1
4	3-3532	Cap, Blank	1
5	9-2734	Strap, Spring	1

Item No.	Part No.	Description	Quantity Per Assy.
6	9-2738	Spring, Retraction	2
7	89-5816	Nozzle, Main, 3/8", #90	1
7	3-3542	Nozzle, Main, 7/16", #91	1
7	3-3543	Nozzle, Main, 1/2", #92	1
8	3-3535	Straightener, Stream	1
9	3-3531	Base, Nozzle, Full-circle	1
9	9-1079	Base, Nozzle, Part-circle	1
10	9-5535	Nozzle, Back	1
11	3-3536	Snap Ring, Head	1
12	363-3210	O-Ring, 0.139" x 4.359" x 4.637"	1
13	9-1849	Drive Assy., Quarter-circle, 691 (Includes Item 14)	1
13	9-1850	Drive Assy., Half-circle, 692 (Includes Item 14)	1
13	3-3585	Drive Assy., Full-circle, 694 (Includes Item 14)	1
13	35-5123	Drive Assy., 696, 2-Speed, 60°-120° (Includes Item 14)	1
13	3-3549	Drive Assy., 698, 2-Speed 180° (Includes Item 14)	1
13	89-8145	Drive Assy., 150° (Includes Item 14)	1
13	89-8146	Drive Assy., 165° (Includes Item 14)	1
13	89-8147	Drive Assy., 195° (Includes Item 14)	1
13	89-8148	Drive Assy., 210° (Includes Item 14)	1
14	9-2736	Collar, Spring	1
15	3-3586	Stator, 3/8", #90	1
15	3-3568	Stator, 7/16", #91	1
15	3-3555	Stator, 1/2", #92	1
16	3-3304	Snap Ring, Valve	1
17	9-1479	Cylinder Assy., NO, COM & Drain Valve	1
17	102-0626	Cylinder Assy., EI & NC	1
18	3-3311	Spring, Valve, COM	1
18	3-3323	Spring, Valve, EL, NO, NC & Drain Valve	1
19	89-1201	Piston Assy., Valve, NO & COM	1
19	3-3355	Piston Assy., Valve, Drain	1
19	102-4834	Piston Assy., Valve, EI & NC	1
20	-----	Body, 690 (See Service Items)	1
21	9-6002	Adapter, Tubing, Threaded, 1/4"	1
22	*89-8157	Cap, Poly, 1/4"	1
23	*900-40	Retainer, Tube	2
24	9-2624	Tubing, Poly 1/4" x 16.5"	1
25	-----	Pilot Valve Assy. (See p. 78)	1
26	3-2696	Screw, Tap, #8	2
27	3-3581	Cover, Body, Rubber	1
		SERVICE ITEMS	
	3-3529	Cap Assy., Rubber Cover (Includes Items 3 & 4)	
	2-9647	Screw, Machine, #10-24 x 1.5"	
	3-3579	Body, Electric w/o/VIH (Includes Items 20-23)	
	89-4861	Body, Electric w/VIH (Includes Items 16-23)	
	89-4873	Body, Electric w/VIH, 80 psi. PV (Includes Items 16-21 and 23-26)	
	89-1019	Body, Electric w/VIH, 100 psi. PV (Includes Items 16-21 and 23-26)	
	3-3558	Body, Hydraulic NO w/o/VIH (Includes Items 20-23)	
	89-1038	Body, Hydraulic NO w/VIH (Includes Items 16-23)	
	9-1497	Body, COM w/o/VIH (Includes Items 20, 21, 23 and 24)	
	89-4879	Body, COM w/VIH (Includes Items 16-21, 23 and 24)	
	89-0088	Pilot Valve Assy., 100 Lbs. w/Tubing (includes Items 21& 23-26)	
	9-4079	Nozzle Assy., 690-90 (Includes Items 7-10)	
	9-4080	Nozzle Assy., 690-91 (Includes Items 7-10)	
	9-4081	Nozzle Assy., 690-92 (Includes Items 7-10)	
	9-4083	Nozzle Assy., 694-90 (Includes Items 7-10)	
	9-4084	Nozzle Assy., 694-91 (Includes Items 7-10)	
	9-4085	Nozzle Assy., 694-92 (Includes Items 7-10)	
	9-5747	Nozzle Base Assy., 690, Dual Back Nozzles (Front & Back)	
	9-2669	Retraction Assy., Spring (Includes Items 5, 6, 11 & 14)	
	690-01	Kit, Cover, Rubber (Includes Items 1, 3 & 27)	
	9-7271	Adapter, Tubing, Oversized Thread	
		SERVICE TOOLS	
	995-06	Drive Assy. Extraction Tool	
	995-07	Valve Snap Ring Pliers	
	995-09	Valve Removal Tool	
	995-12	Valve Insertion Tool	
	995-15	Selector Tool (Flag Key)	
	995-17	Riser Pliers	
	995-20	Valve Insertion Tool, Rubber Cover	
	995-22	Hose Adapter	
	995-49	Pressure Gauge	
	995-50	Pilot Tube	
	995-51	Pressure Gauge Kit	
	995-100	Valve Snap Ring Pliers with Screen Remover	
		* Order Through Finished Goods Distribution System-Minneapolis	

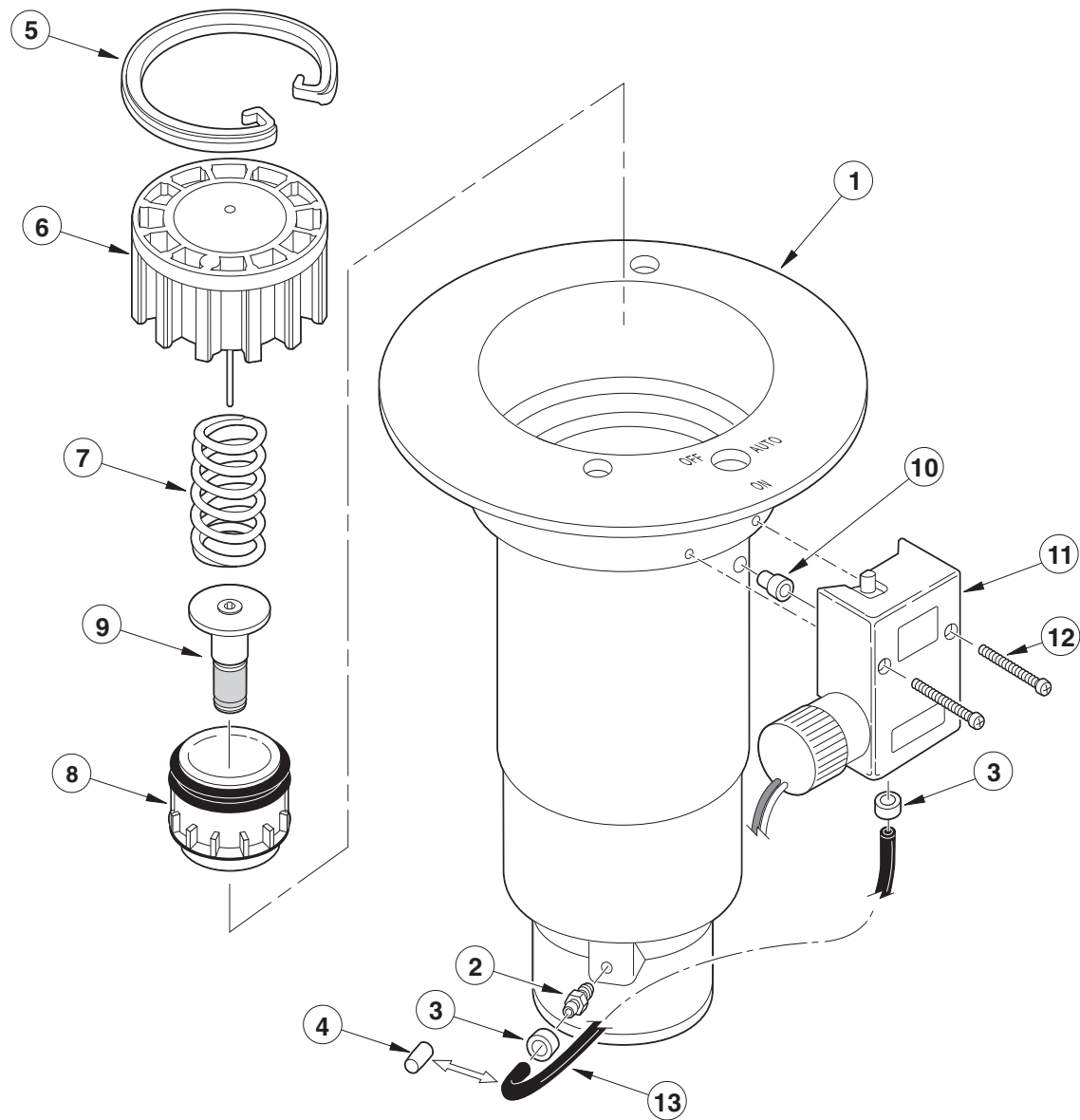
Golf Sprinkler Body — 1 Inch



Item No.	Part No.	Description	Quantity Per Assy.
		1 INCH NPT BODY STYLE	
1	35-9421	Electric w/o VIH (Includes Items 1-4)	1
1	**89-4128	Electric w/o VIH, Ribless (Includes Items 1-4)	1
1	102-0083	Electric w/VIH, 720 (Includes Items 1-9)	1
1	35-9418	Hydraulic NO w/o VIH (Includes Items 1-4)	1
1	**89-4126	Hydraulic NO w/o VIH, Ribless (Includes Items 1-4)	1
1	35-9453	COM w/o VIH (Includes Items 1-3 & 12)	1
1	**89-4127	COM w/o VIH, Ribless (Includes Items 1-3 & 12)	1
		1 INCH BSP BODY STYLE	
1	35-9386	Electric w/o VIH (Includes Items 1-4)	1
1	**89-4131	Electric w/o VIH, Ribless (Includes Items 1-4)	1
1	102-0084	Electric w/VIH, 720 (Includes Items 1-9)	1
1	35-9385	Hydraulic NO w/o VIH (Includes Items 1-4)	1
1	**89-4129	Hydraulic NO w/o VIH, Ribless (Includes Items 1-4)	1
1	35-9294	COM w/o VIH (Includes Items 1-3 & 12)	1
1	**89-4130	COM w/o VIH, Ribless (Includes Items 1-3 & 12)	1
**Note: Ribless bodies are used with sprinklers manufactured prior to July 1993.			

Item No.	Part No.	Description	Quantity Per Assy.
1 INCH ACME BODY STYLE			
1	89-8635	1" ACME Body Style, Electric w/o VIH (Includes Items 1–4)	1
1	102-0085	1" ACME Body Style, Electric w/VIH, 720 (Includes Items 1–9)	1
1	89-8643	1" ACME Body Style, Hydraulic NO w/o VIH (Includes Items 1–4)	1
1	89-8641	1" ACME Body Style, COM w/o VIH (Includes Items 1–3 & 12)	1
2	9-6002	Adapter, Tubing, Threaded, 1/4"	1
3	*900-40	Retainer, Tube	2
4	89-8157	Cap, Poly	1
5	89-4702	Snap Ring, Valve	1
6	9-1485	Cylinder Assy., NO & COM	1
6	9-1487	Cylinder Assy., EL & NC	1
7	3-2633	Spring, Valve, NO, EL & NC	1
7	89-5821	Spring, Valve, COM	1
8	89-1044	Piston Assy., NO & COM	1
8	89-1054	Piston Assy., EL & NC, (Includes Item 9)	1
8	102-0081	Piston Assy., EL (720 Only) (Includes Item 9)	1
9	35-9646	Filter Assy., Metering, EL & NC	1
10	- - - - -	Pilot Valve Assy. (See p. 78–79)	1
11	3-2696	Screw, Tap #8	2
12	9-2622	Tubing, Poly, 1/4" x 6 1/4", EL & NC	1
12	9-1876	Tubing, Poly, 1/4" x 12", COM	1
SERVICE ITEMS			
	3-2606	Adapter, 1/4" Poly (COM Only)	
	89-1046	Valve Assy., NO (Includes Items 6–8)	
	89-1047	Valve Assy., COM (Includes Items 6–8)	
	89-1048	Valve Assy., EL, NC (Includes Items 6–9)	
	102-0082	Valve Assy., EL, 720 (Includes Items 6–9)	
	9-7271	Adapter, 1/4" Poly (Oversize Thread)	
* Order Through Finished Goods Distribution System–Minneapolis			

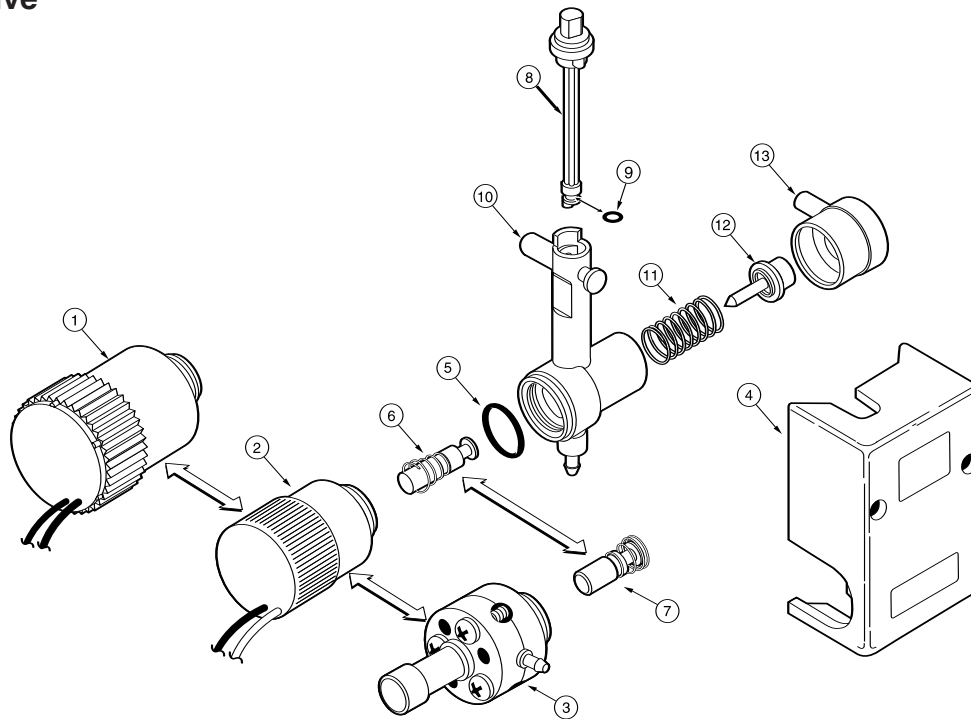
Golf Sprinkler Body — 1.5 Inch



Item No.	Part No.	Description	Quantity Per Assy.
1.5 INCH NPT BODY STYLE			
1	3-3389	Electric w/o VIH (Includes Items 1–4)	1
1	3-3343	Hydraulic NO w/o VIH (Includes Items 1–4)	1
1	9-1257	COM w/o VIH (Includes Items 1–3 & 13)	1
1.5 INCH BSP BODY STYLE			
1	35-5362	Electric w/o VIH (Includes Items 1–4)	1
1	35-5322	COM w/o VIH (Includes Items 1–3 & 13)	1
1	35-5245	Hydraulic NO w/o VIH (Includes Items 1–4)	1
1.5 INCH ACME BODY STYLE			
1	89-8646	Electric w/o VIH (Includes Items 1–4)	1
1	89-8652	COM w/o VIH (Includes Items 1–3 & 13)	1
1	89-8654	Hydraulic NO w/o VIH (Includes Items 1–4)	1

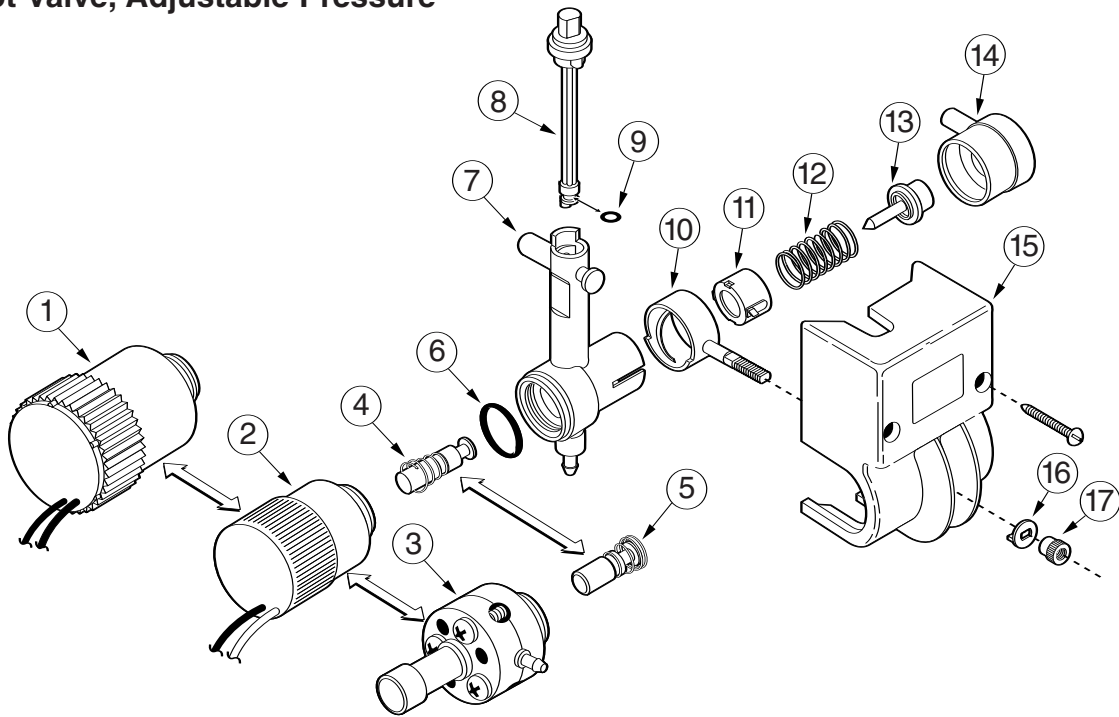
Item No.	Part No.	Description	Quantity Per Assy.
2	9-6002	Adapter, Tubing, Threaded, 1/4"	1
3	*900-40	Retainer, Tube	1 or 2
4	89-8157	Cap, Poly	1
5	3-3304	Snap Ring, Valve	1
6	9-1479	Cylinder Assy., COM & NO	1
6	102-0626	Cylinder Assy., EL & NC	1
7	3-3323	Spring, Valve, EL, NO, & NC	1
7	3-3311	Spring, Valve, COM	1
8	89-1201	Piston Assy., COM & NO	1
8	102-4834	Piston Assy., EL & NC (Includes Item 9)	1
9	35-9645	Filter Assy., Metering, EL & NC	1
10	35-7663	Adapter, Pilot Valve to Body	1
11	-----	Pilot Valve Assy. (See p. 78–79)	1
12	3-2696	Screw, Tap #8	2
13	9-2623	Tubing, Poly, 1/4" x 8", EL & NC	1
13	9-1876	Tubing, Poly, 1/4" x 11.5", COM	1
		SERVICE ITEMS	
	3-2606	Adapter, 1/4" Poly (COM Only)	
	89-1036	Valve Assy., NO (Includes Items 6–8)	
	9-1249	Valve Assy., NO with Drain (Includes Items 6–8)	
	89-1037	Valve Assy., COM (Includes Items 6–8)	
	102-4003	Valve Assy., EL and NC (Includes Items 6–9)	
	9-7271	Adapter, 1/4" Poly (Oversize Thread)	
		* Order Through Finished Goods Distribution System–Minneapolis	

Pilot Valve



Item No.	Part No.	Description	Quantity Per Assy.
1	102-3443	Solenoid, Low Wattage, w/Surge Protection (Black Wires)	1
1	102-0312	Solenoid, Low Wattage, w/Surge Protection, Saltwater Tolerant (Red Wires)	1
1	102-4979	Solenoid, Low Wattage, Decoder, w/Surge Protection (Yellow Wires)	1
2	89-1905	Solenoid Assy.	1
3	89-6005	Adapter, Pilot Valve, NC	1
4	89-0001	Housing, Pilot Valve	1
5	360-0220	O-Ring, 0.070" x 0.551" x 0.691"	1
6	102-2110	Plunger Assy., EL, Saltwater Tolerant	1
6	35-9993	Plunger Assy., EL	1
7	89-6003	Plunger Assy., NC	1
8	102-4831	Selector Cam, Red (Includes Item 9)	1
9	1-2035	O-Ring, 0.070" x 0.114" x 0.254"	1
10	89-6004	Body Assy., Pilot Valve	1
11	35-9970	Spring, 50 psi, Black	1
11	35-9971	Spring, 65 psi, Green	1
11	35-9972	Spring, 80 psi, Red	1
11	35-9973	Spring, 100 psi, Blue	1
12	89-0029	Piston	1
13	89-0005	Diaphragm Assy.	1
		SERVICE ITEMS	
	89-0998	Pilot Valve Assy., Less Solenoid, 50 psi	
	89-0999	Pilot Valve Assy., Less Solenoid, 60 psi	
	89-1000	Pilot Valve Assy., Less Solenoid, 80 psi	
	89-1001	Pilot Valve Assy., Less Solenoid, 100 psi	

Pilot Valve, Adjustable Pressure



Item No.	Part No.	Description	Quantity Per Assy.
1	102-3443	Solenoid, Low Wattage, w/Surge Protection (Black Wires)	1
1	102-3444	Solenoid, Low Wattage, w/Surge Protection Nickel Plated (Red Wires)	1
1	102-4979	Solenoid, Low Wattage, Decoder, w/Surge Protection (Yellow Wires)	1
2	89-1905	Solenoid, 600/700 Series	1
3	89-6005	Adapter, Pilot Valve, NC	1
4	102-2110	Plunger Assy., EL, Nickel Plated	1
4	35-9993	Plunger Assy., EL	1
5	89-6003	Plunger Assy., NC	1
6	360-0220	O-Ring, 0.070" x 0.551" x 0.254"	1
7	102-4747	Body Assy., Pilot Valve	1
8	102-0343	Selector Cam, Black (Includes item 9)	1
8	102-4831	Selector Cam, Red (Includes item 9)	
9	1-2035	O-Ring, 0.070" x 0.114" x 0.254"	1
10	102-2237	Adjuster, PSI	1
11	102-2236	Traveling Nut	1
12	102-2235	Spring	1
13	102-2469	Piston	1
14	102-2473	Diaphragm Assy.	1
15	102-2238	Housing, Pilot Valve	1
16	102-2606	Adjustment Locator	1
17	363-4441	Nut, Adjuster	1
		SERVICE ITEMS	
	102-5975	Pilot Valve Assy., Selectable Pressure Less Solenoid, Use w/All Electric Pilot Valve (Includes Items 4[102-2110] & 6-17)	
	102-5974	Pilot Valve Assy., Selectable Pressure w/Low Watt/High Surge Solenoid 800S Series (Includes Items 1[102-3443], 4[35-9993] & 6-17)	
	102-5178	Pilot Valve Assy., Selectable Pressure w/Standard Watt & Surge Solenoid, 600/700 Series (Includes Items 2, 4[35-9993] & 6-17)	
	102-5181	Pilot Valve Assy., Selectable Pressure w/Normally Closed Actuator (Includes Items 3 & 5-17)	
	102-5976	Pilot Valve Assy., Selectable Pressure w/Low Watt/High Surge Nickel Plated (Includes Items 1[102-0312], 4[102-2110] & 6-17)	
	102-5977	Pilot Valve Assy., Selectable Pressure w/Standard Watt/High Surge, Decoder (Includes Items 1[102-4979], 4[35-9993] & 6-17)	

